



Bill of Materials List

SD5000, 98" Integrated Housing, 5 Spring 96" UB Pivot,
Wide Bow Set

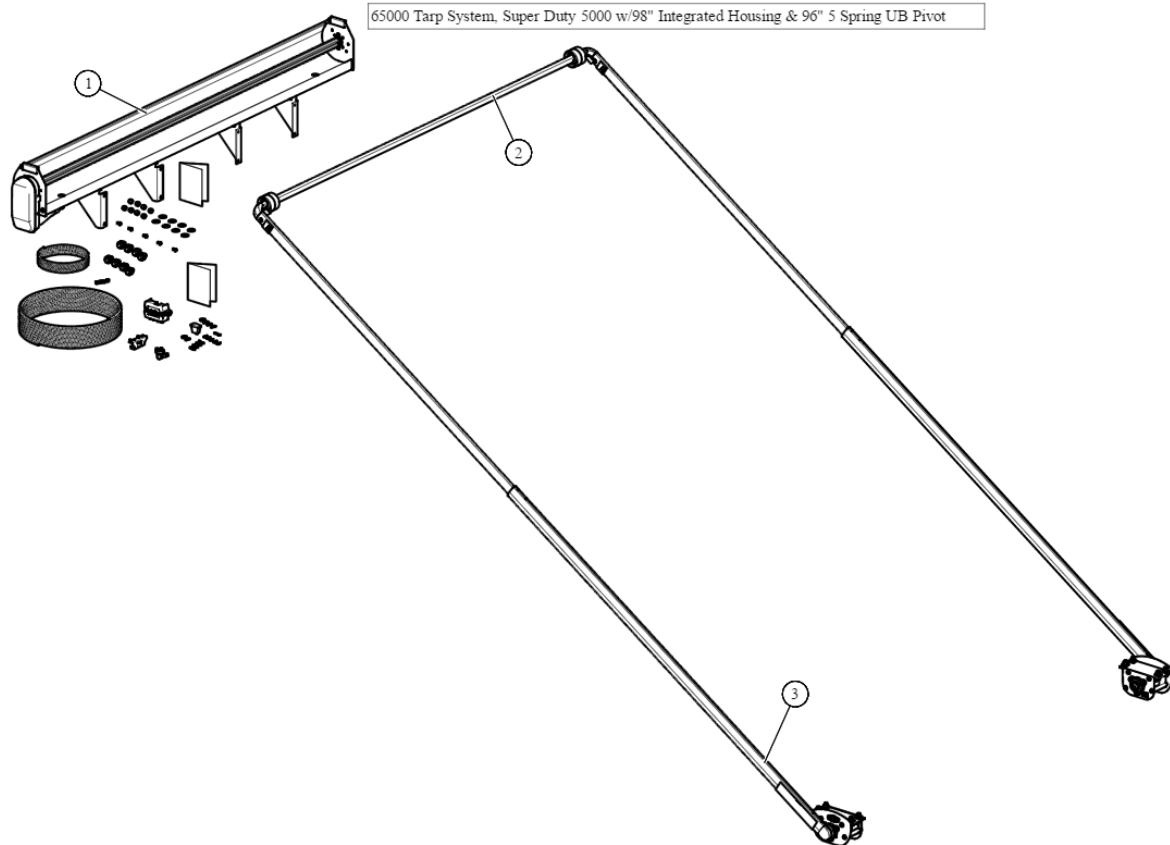


Product #: 65000



Bill of Materials List

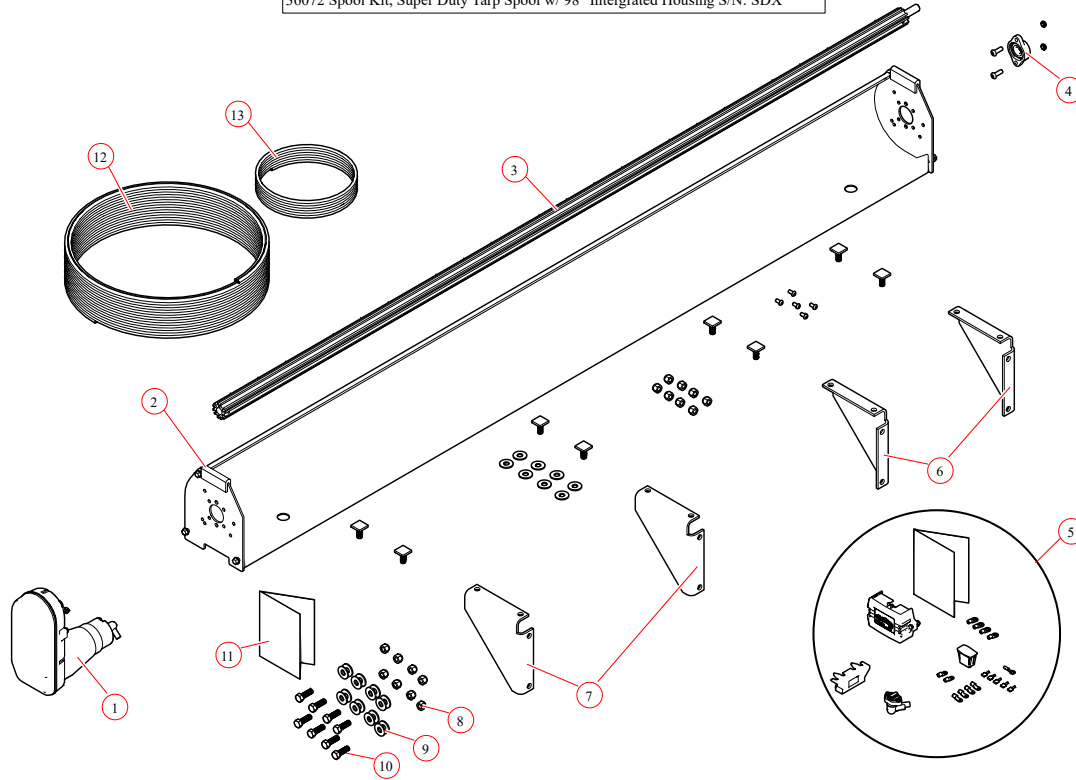
65000



Bom Id	Part # Description	Qty
1	36072 Spool Kit. Super Duty Tarp Spool w/ 98" Integrated Housing - S/N: SD	1
2	76720 Bow Set. 103 1/2" Wide Top Tube and 103 1/2" Side Arms	1
3	46550 Pivot Set. 5 Spring Under-Body Mount w/ 96" Pivot Tubes (B1-46553 / B2-46552)	1

36072

36072 Spool Kit, Super Duty Tarp Spool w/ 98" Intergrated Housing S/N: SDX



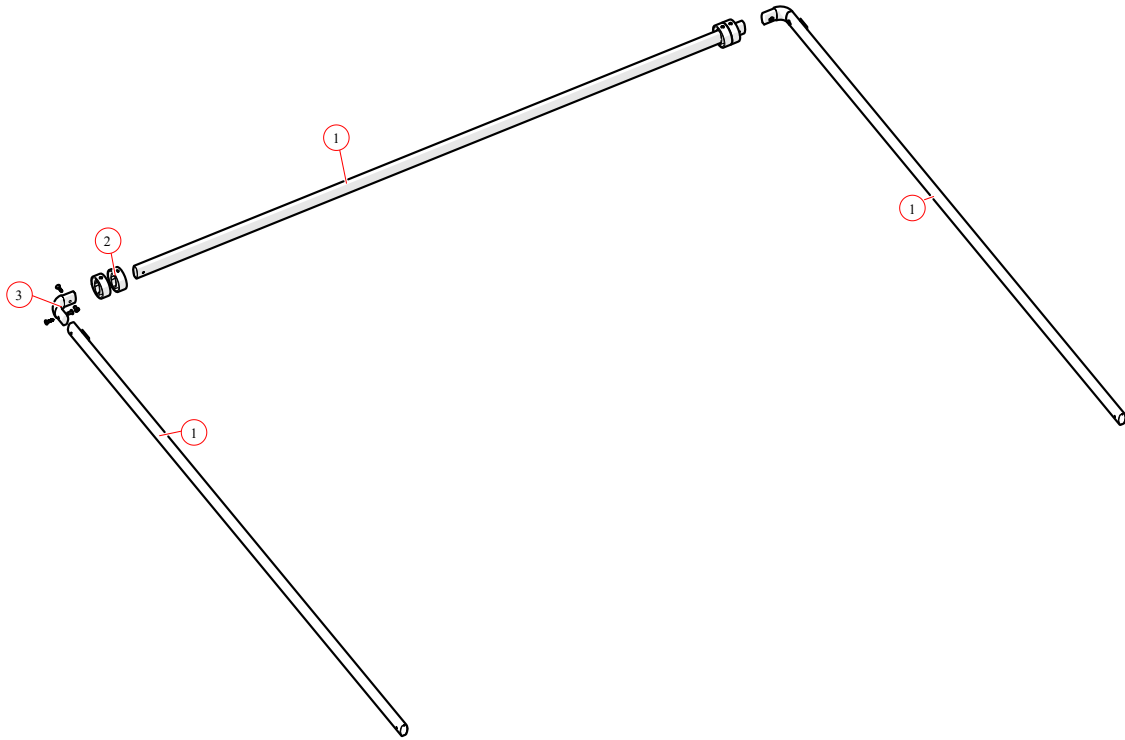
Bom Id	Part #	Description	Qty
1	10122	Super Duty Motor 12V. 5 Year Warranty :S/N:	1
2	36164	Housing. Spool 98" Aluminum Integrated Housing	1
3	31030	Axle. 97" Pre-Threaded Tarp Axle w/Stub Shaft	1
4	31050	Bearing. 3/4" Flanged Axle Bearing with bolts	1
5	10914	Electric Kit. With 10698 12V Relay and Rocker Switch	1
6	36856	Bracket. Int Housing Gusset - Left (ea)	1
7	36858	Bracket. Int Housing Gusset - Right (ea)	1
8	18631	Nut. 1/2" Nylock Nut	8
9	18412	Washer. 1/2" Flat Zinc	16
10	18296	Bolt. 1/2" x 1 1/2" Hex Head Bolt	8
11	101501	Instructions. Front to Back Installation	1
12	11338	Wire. 6 ga. Dual Conductor - 85ft	1
13	11411	Wire. 16/3-Conductor - 15ft	1



Bill of Materials List

76720

76720 Bow Set, 103 1/2" Wide Top Tube w/ 98" Bow Arms



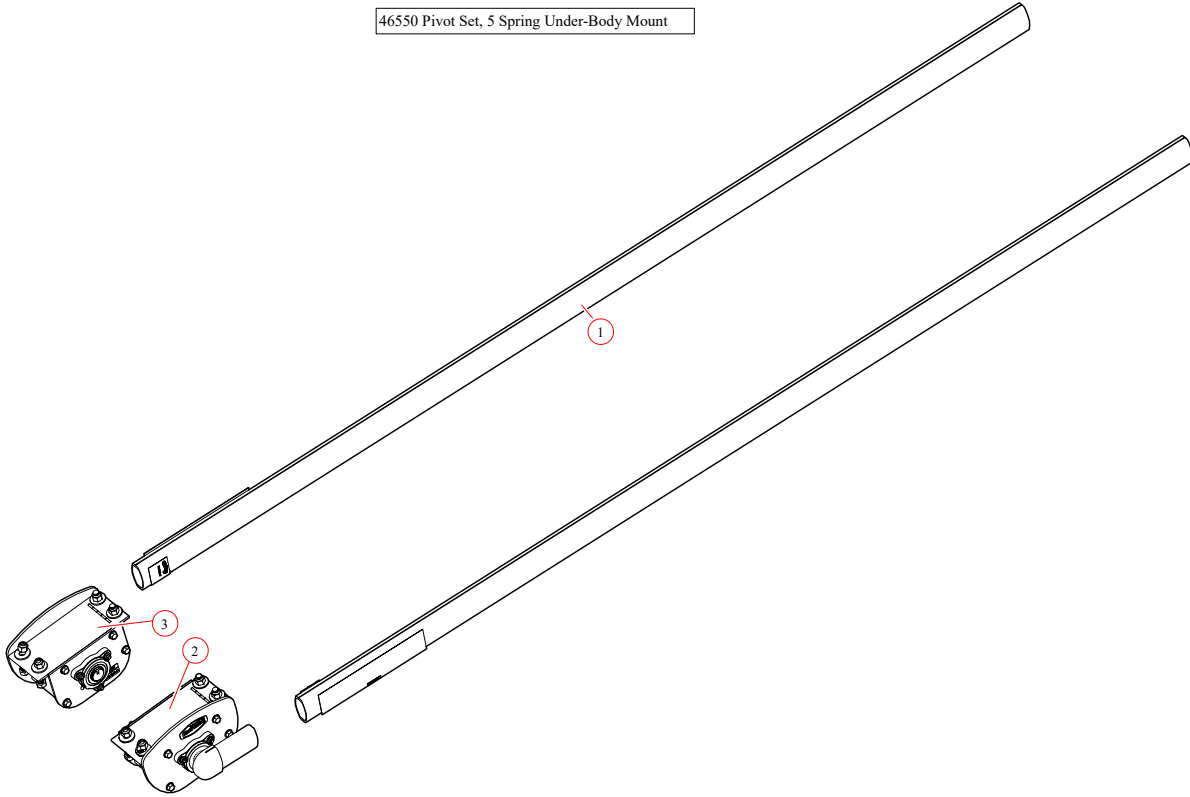
Bom Id	Part #	Description	Qty
1	76870	Bow Tube. 103 1/2" AL Wide Top Tube for Tarp Bow	3
2	76810	Tarp Flange for Bow Tube (Pair)	2
3	76800	Casting. Aluminum Corner - 90 Degree With Fasteners and Tether	2



Bill of Materials List

46550

46550 Pivot Set, 5 Spring Under-Body Mount



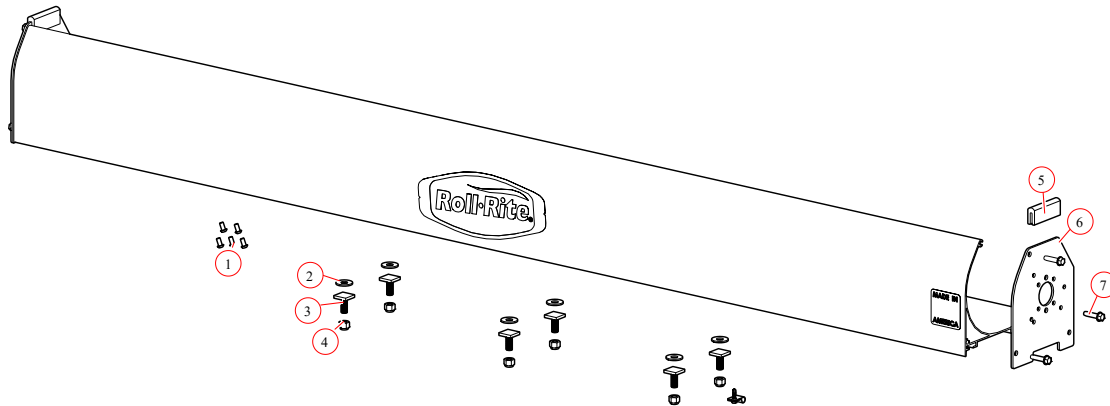
Bom Id	Part #	Description	Qty
1	46250	Pivot Tube. AL 5UB/SR spring tube only w/set screws (96")	2
2	103293	Pivot. UB Assembly 5 Spr Drivers	1
3	103294	Pivot. UB Assembly 5 Spr Passenger	1



Bill of Materials List

36164

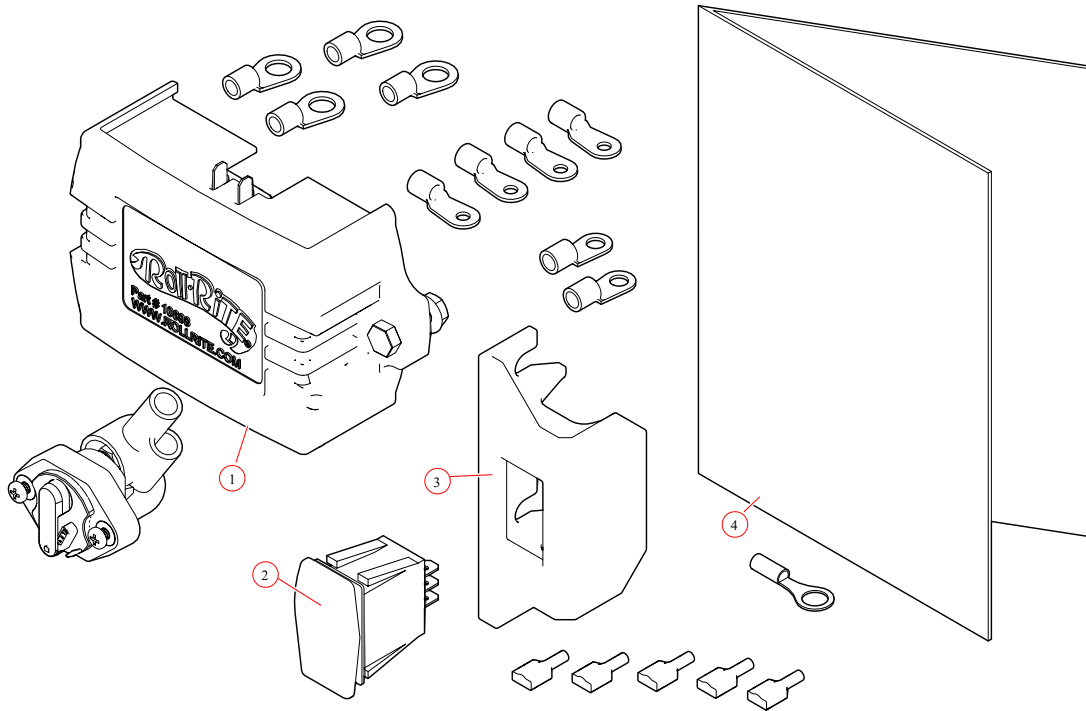
36164 Housing, Spool 98" Aluminum Integrated Housing



Bom Id	Part #	Description	Qty
1	18260	Bolt. 5/16" x 5/8" Button Head Bolt - Zinc Plated	5
2	18412	Washer. 1/2" Flat Zinc	6
3	18245	Bolt. T-Bolt 1/2-13NCx1.75 for GAB	6
4	18631	Nut. 1/2" Nylock Nut	6
5	36300	Bumper. Rubber Bumper for Tarp Spool (each)	2
6	36331	Bracket. Int Housing Aluminum Endcaps - Drivers Side	2
7	18120	Bolt. 3/8" x 1-1/2" Thread Cutting Screw Hex Washer Hd	6

10914

10914 Electric Kit, With 10698 Relay and Rocker Switch



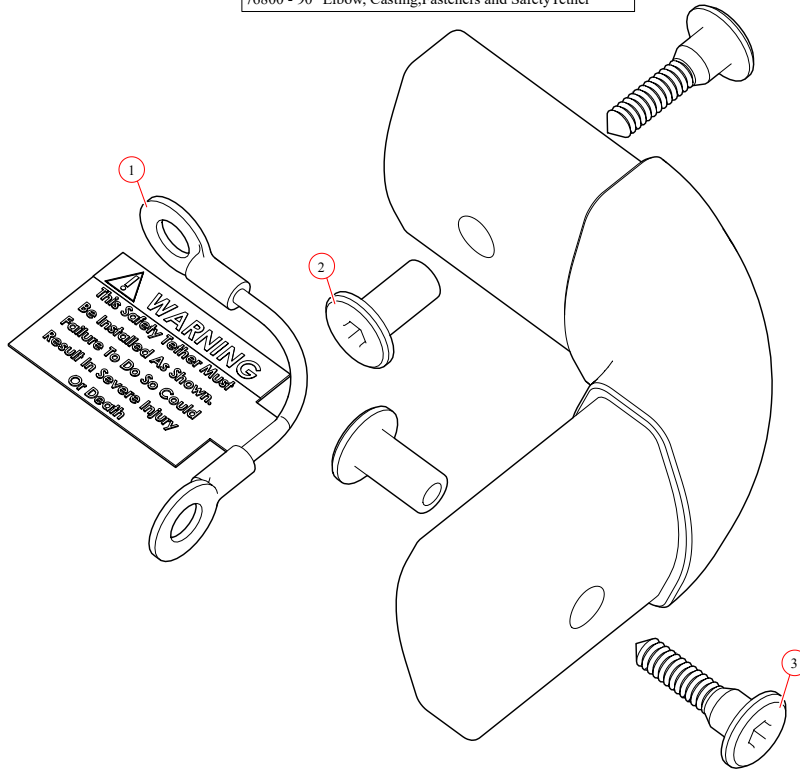
Bom Id	Part #	Description	Qty
1	10695	Relay Kit. HD Mechanical Relay w/ 35 Amp Manual Reset Breaker & Terminal 12V	1
2	19300	Switch. Rocker (Open/Close)	1
3	10390	Bracket. Mounting for Rocker Switch	1
4	101784	Instructions. 10698 12 volt wiring Diagram	1



Bill of Materials List

76800

76800 - 90° Elbow, Casting, Fasteners and Safety Tether



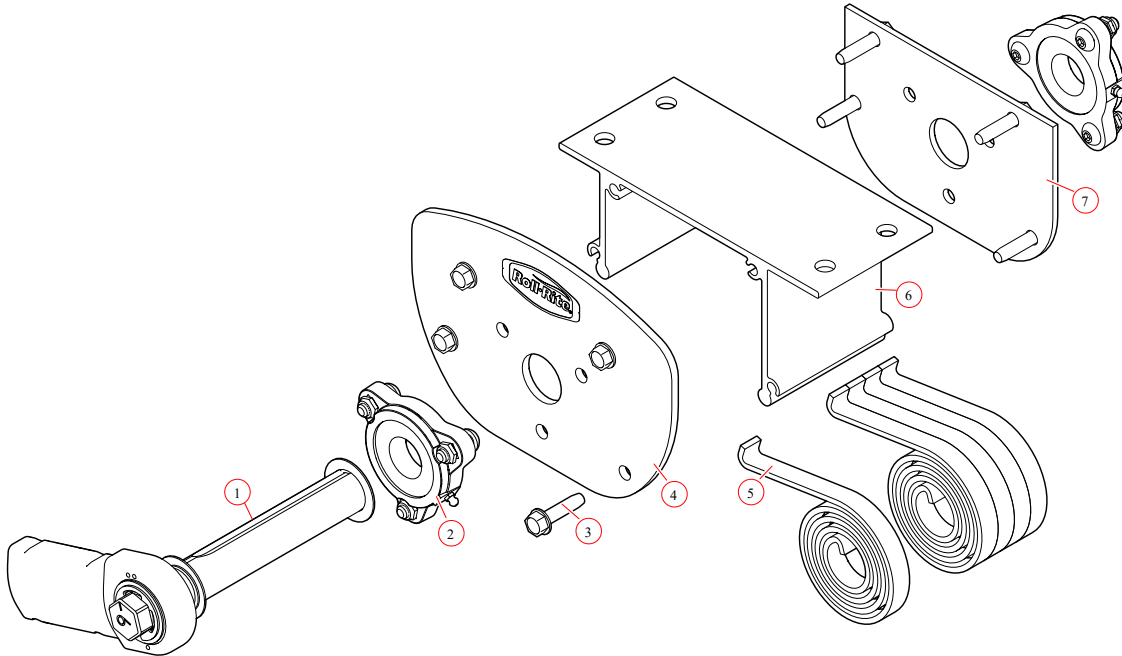
Bom Id	Part #	Description	Qty
1	103533	Tether. Cable with Install Label for 90 degree corner	1
2	18719	Nut. 1/4-20 Cap Conn Nut Clear Zinc - Post bolt for 90 degree corners	2
3	18718	Bolt. 1/4-20 x 1 3/16 Bolt Clear Zinc - Post bolt for 90 degree corners	2



Bill of Materials List

103294

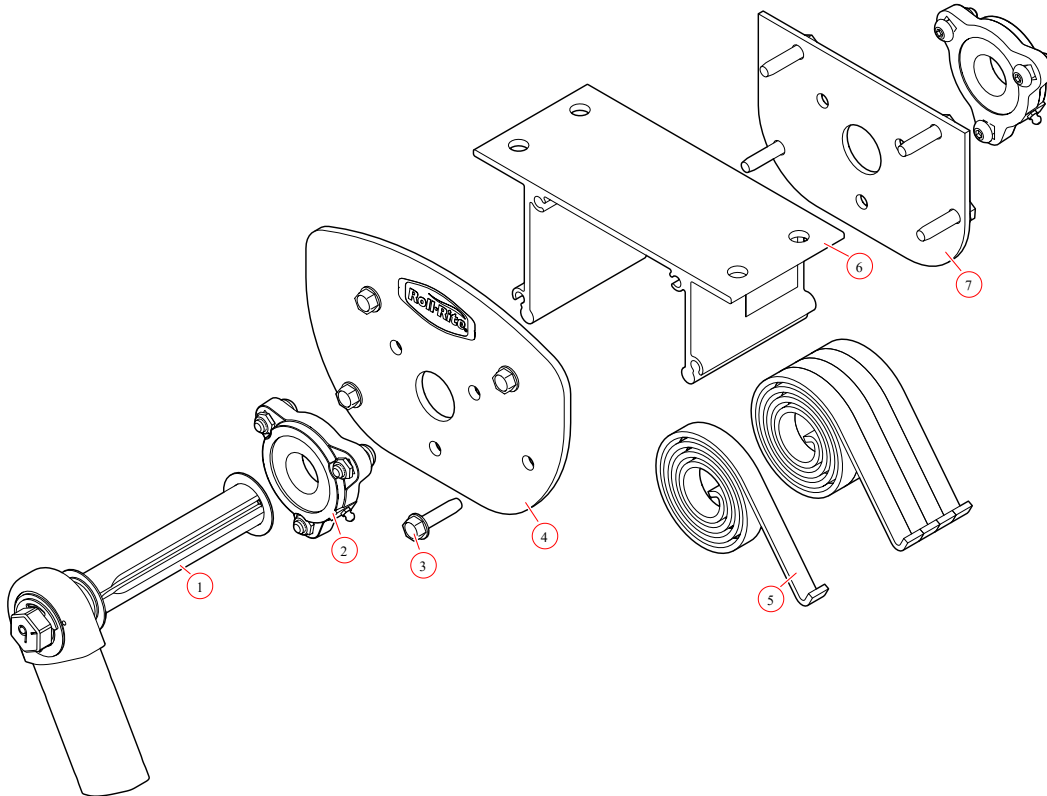
103294 Pivot, UB Assembly 5 Spr Passenger



Bom Id	Part #	Description	Qty
1	46370	Pivot Pin. for 5 & 6-Spring Roller Bearing - Passenger	1
2	47800	Bearing. Carrier Underbody Flanged	2
3	18120	Bolt. 3/8" x 1-1/2" Thread Cutting Screw Hex Washer Hd	8
4	102349	Plate. Al Front for Ext Bolt Flange Mount UB Box	1
5	47230	Spring. Spiral Torsion Spring 1 1/4"	5
6	102509	Bracket. Ext Body with holes for 6 Spr UB Box	1
7	102259	Plate. Al Back for Ext Bolt Flange Mount UB Box	1

103293

103293 Pivot, UB Assembly 5 Spr Drivers



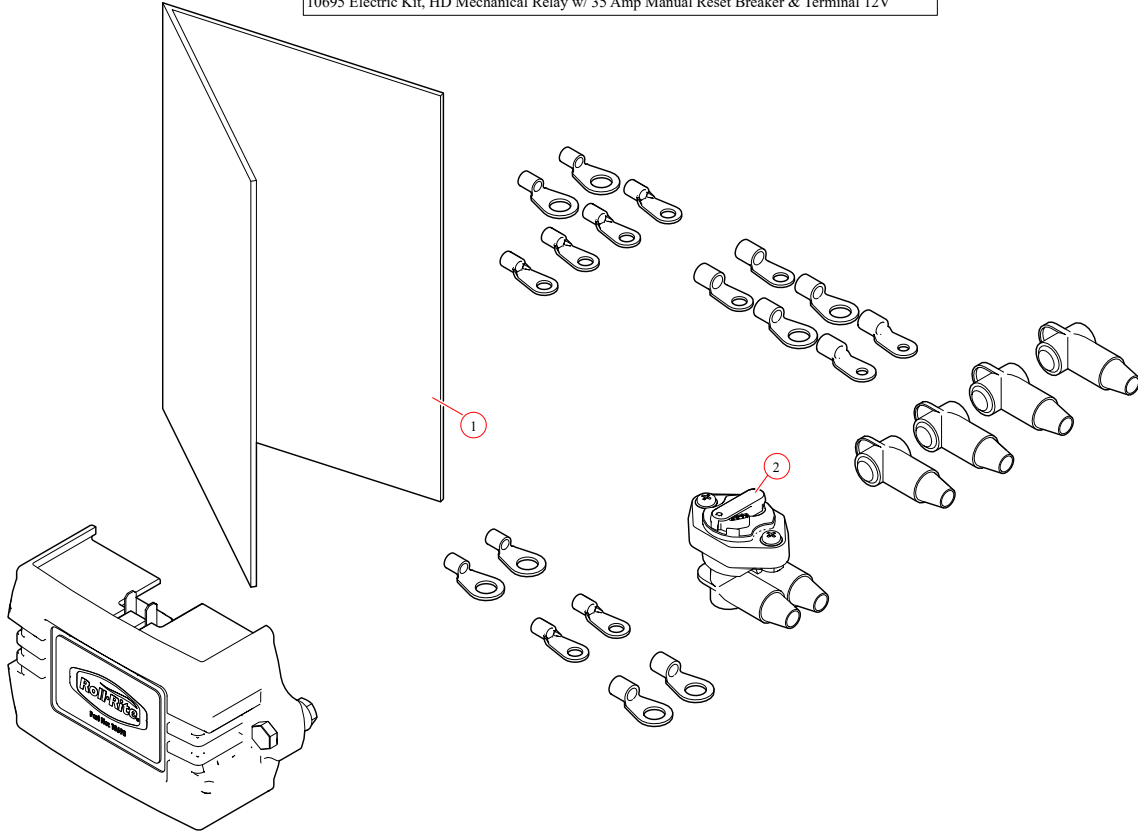
Bom Id	Part #	Description	Qty
1	46360	Pivot Pin. for 5 & 6 Spring Roller Bearing - Drivers Side	1
2	47800	Bearing. Carrier Underbody Flanged	2
3	18120	Bolt. 3/8" x 1-1/2" Thread Cutting Screw Hex Washer Hd	8
4	102349	Plate. Al Front for Ext Bolt Flange Mount UB Box	1
5	47230	Spring. Spiral Torsion Spring 1 1/4"	5
6	102509	Bracket. Ext Body with holes for 6 Spr UB Box	1
7	102259	Plate. Al Back for Ext Bolt Flange Mount UB Box	1



Bill of Materials List

10695

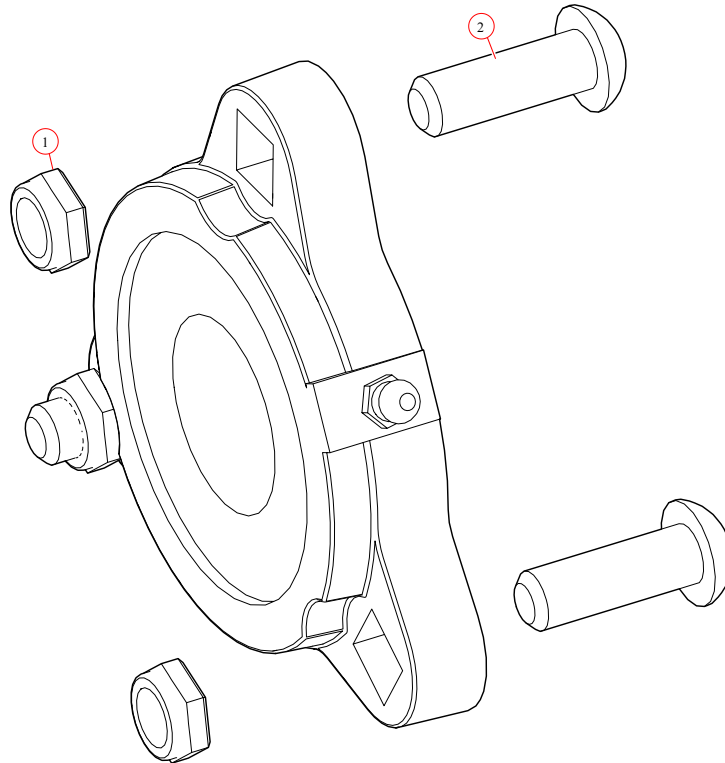
10695 Electric Kit, HD Mechanical Relay w/ 35 Amp Manual Reset Breaker & Terminal 12V



Bom Id	Part #	Description	Qty
1	17918	Breaker. 35A Outdoor Manual Reset Circuit Breaker	1
2	101784	Instructions. 10698 12 volt wiring Diagram	1

47800

47800 Bearing, Carrier Underbody Flanged



Bom Id	Part #	Description	Qty
1	18628	Nut. Nylock nut 3/8" Jamb Nut	2
2	18242	Bolt. 3/8"-16 x 1 1/8" Button Head	2