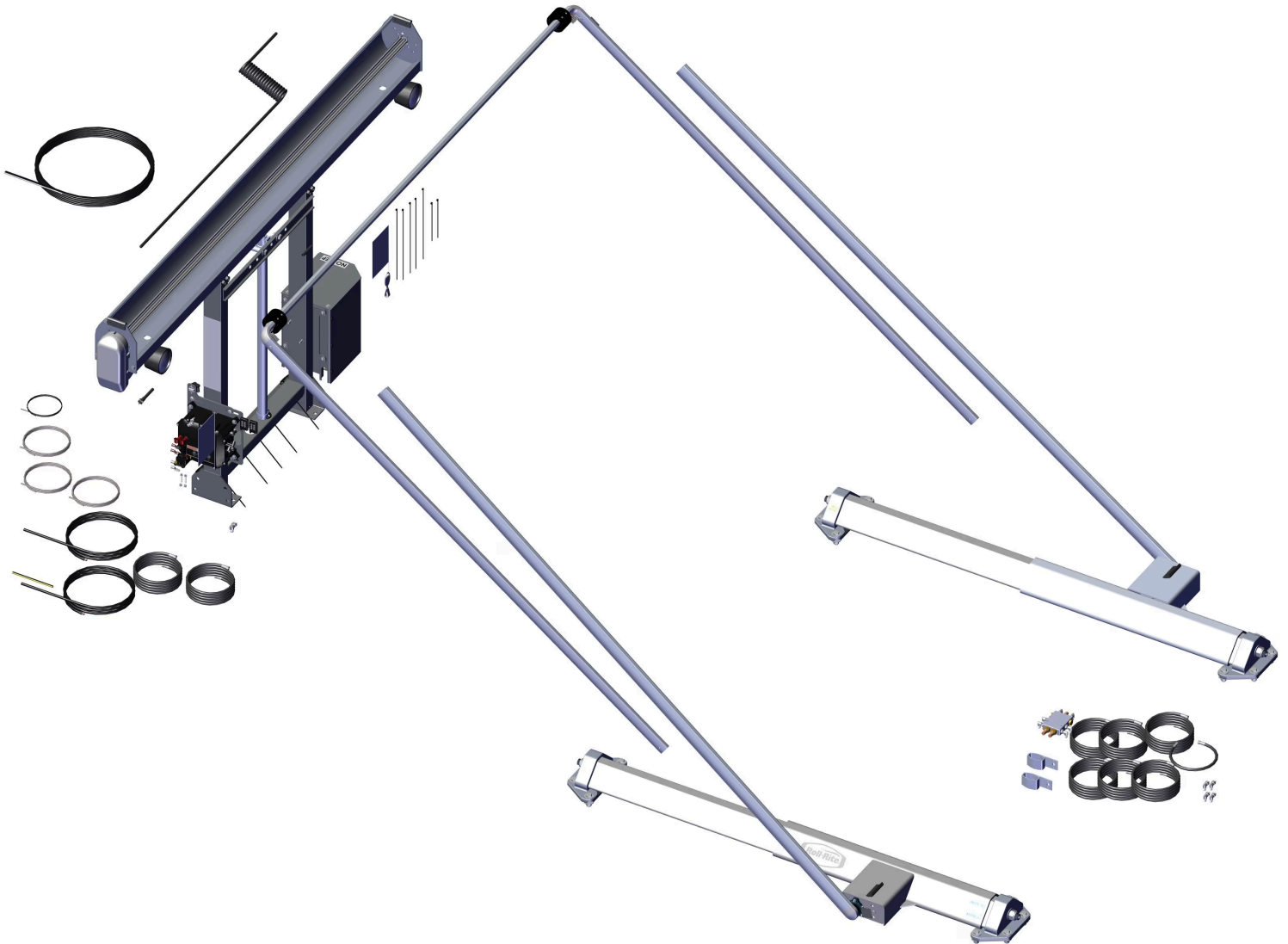




Bill of Materials List

DC300, SD Single Stage Tower, 6 Spring Low Profile Sliding Pivot, Wide Bow Set

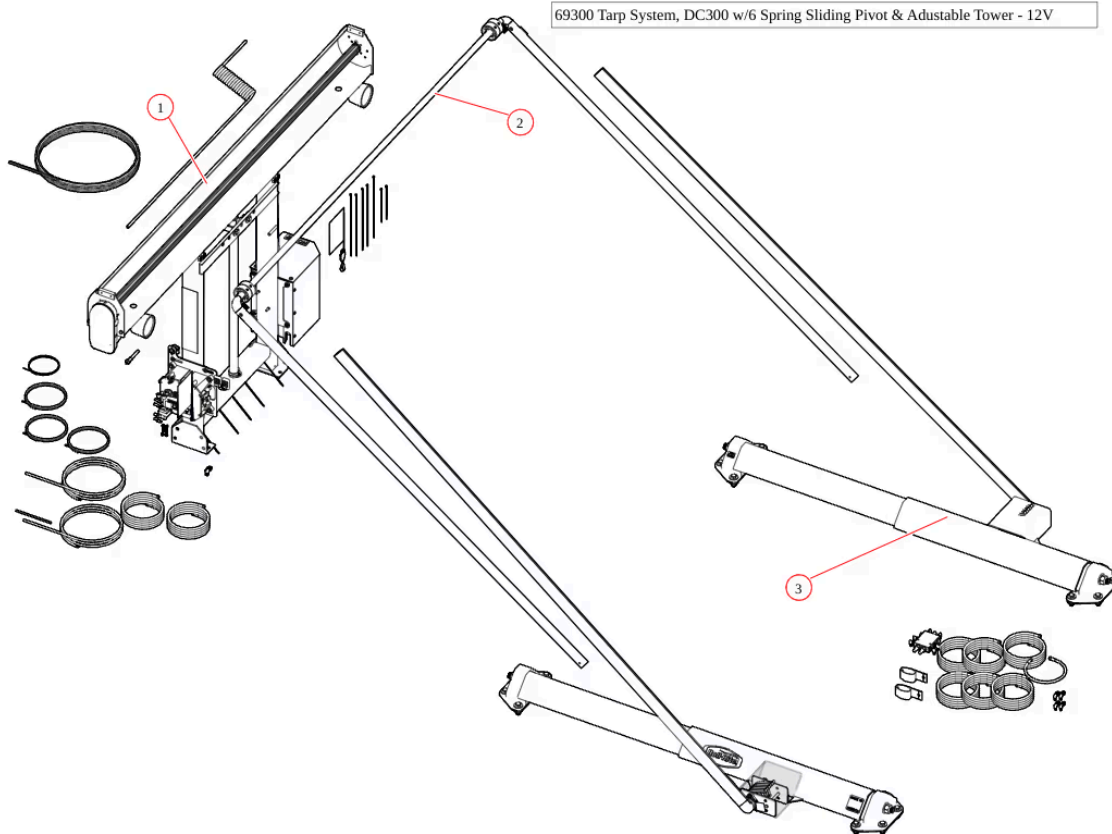


Product #: 69300



Bill of Materials List

69300



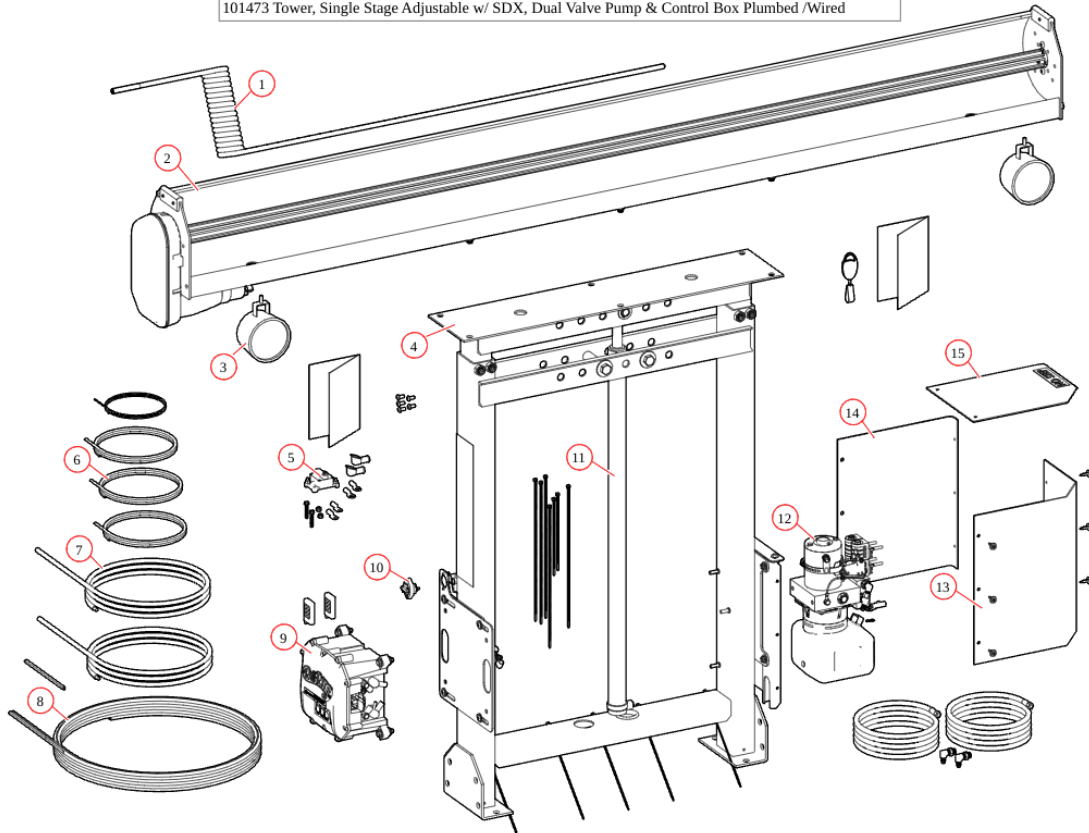
Bom Id	Part #	Description	Qty
1	101473	Tarp System. Super Duty Single Stage Adjustable w/Dual Valve Pump & Control Box	1
2	76720	Bow Set. 103 1/2" Wide Top Tube and 103 1/2" Side Arms	1
3	47710	Pivot Set. 3ft Low Profile Sliding 6 Spring Pivot Set w/120" Tubes	1



Bill of Materials List

101473

101473 Tower, Single Stage Adjustable w/ SDX, Dual Valve Pump & Control Box Plumbed /Wired



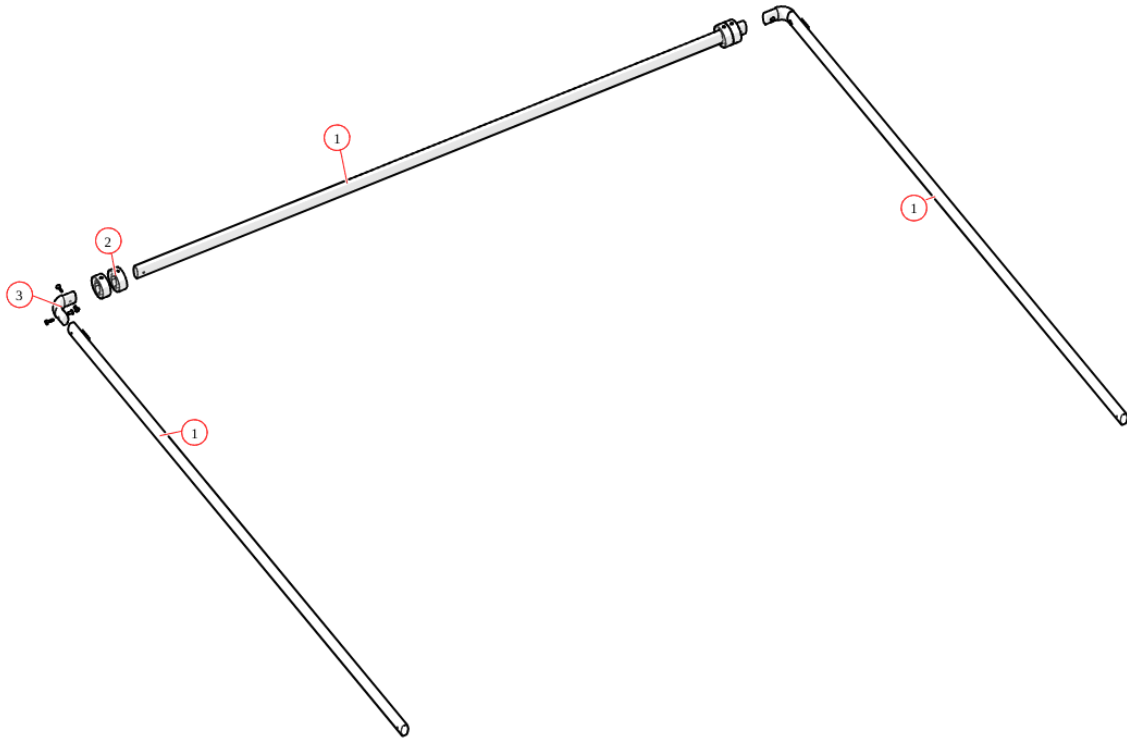
Bom Id	Part #	Description	Qty
1	11328	Wire. 2 Stage Tower Coil 110" - Assembled	1
2	36479	Spool Kit. Super Duty Tarp Spool w/98" Integrated Housing	1
3	104103	Light. Work Light LED 12V	2
4	39004	Tower. Stationary Tower for Integrated Housing	1
5	17912	Breaker. 200 amp Manual Reset Breaker Kit for 12V pump	1
6	11345	Wire. 16 ga. 2-Conductor (per foot)	3
7	11350	Wire. 2 Ga. Single Conductor - (per foot) - Black	2
8	11330	Wire. 6 Ga. Dual Conductor - (per ft)	1
9	19865	Control Box. Wireless Black Control Box - 12/24V Waste	1
10	17918	Breaker. 35A Outdoor Manual Reset Circuit Breaker	1
11	39520	Cylinder. 1.5" Bore x 36" Stroke DA. Single Flange Mount	1
12	39616	Hydraulic Power Unit. 12V. 2 Valve	1
13	39615	PUMP COVER. POLY SIDE COVER FOR VERT MOUNT PUMP	1
15	10778	Bracket. Steel Vert Pump Mount Cover	1



Bill of Materials List

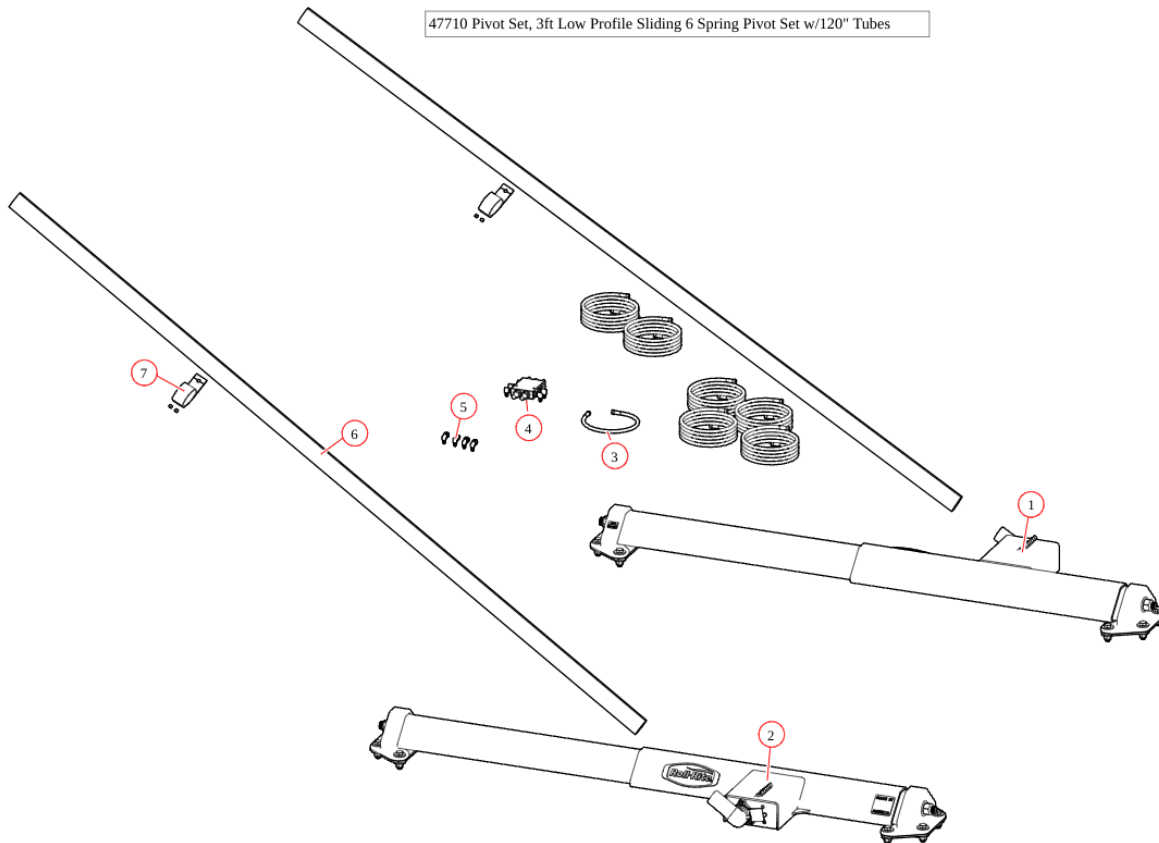
76720

76720 Bow Set, 103 1/2" Wide Top Tube w/ 98" Bow Arms



Bom Id	Part #	Description	Qty
1	76870	Bow Tube. 103 1/2" AL Wide Top Tube for Tarp Bow	3
2	76810	Tarp Flange for Bow Tube (Pair)	2
3	76800	Casting. Aluminum Corner - 90 Degree With Fasteners and Tether	2

47710



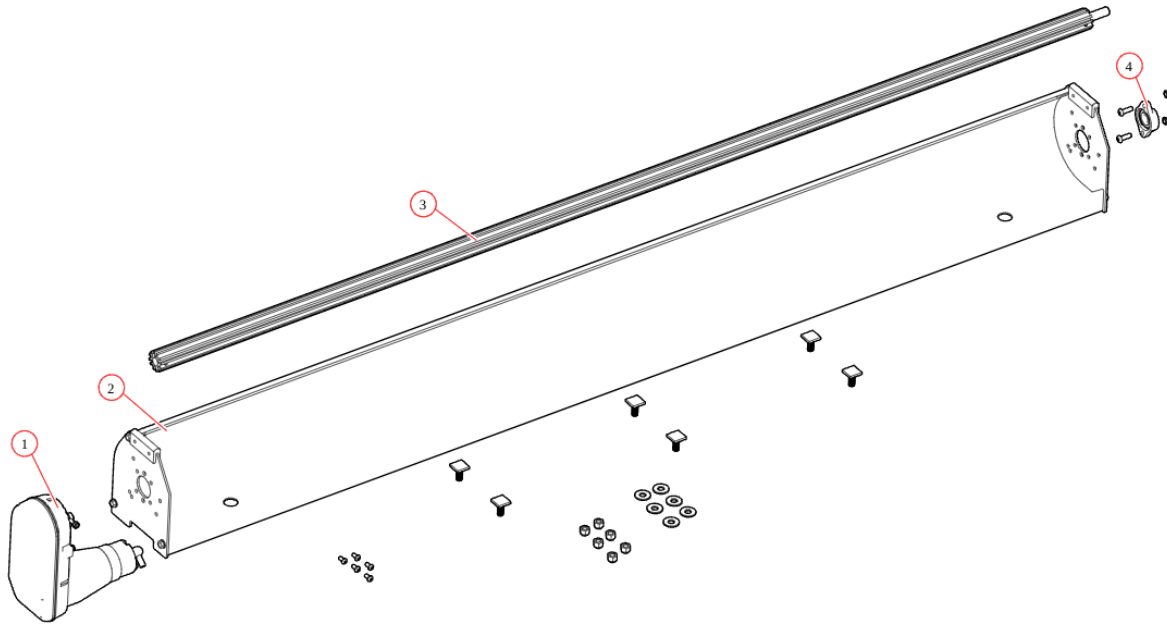
Bom Id	Part #	Description	Qty
1	4771P	Pivot Passenger. Side Assembled Sliding Pivot w/out Tubes	1
2	4771D	Pivot Driver. Side Assembled Sliding Pivot w/out Tubes	1
3	39092	Hose. 14.5" Replacement Bleeding Hose	1
4	39090	Manifold. Hydraulic Synchronizing	1
5	39098	Adapter. 90 #4 Male Tube to #6 Adj Male Oring	4
6	46220	Pivot Tube. 120" w/Set Screws (each)	2
7	76831	Bracket. Pivot Arm Tie Down	2



Bill of Materials List

36479

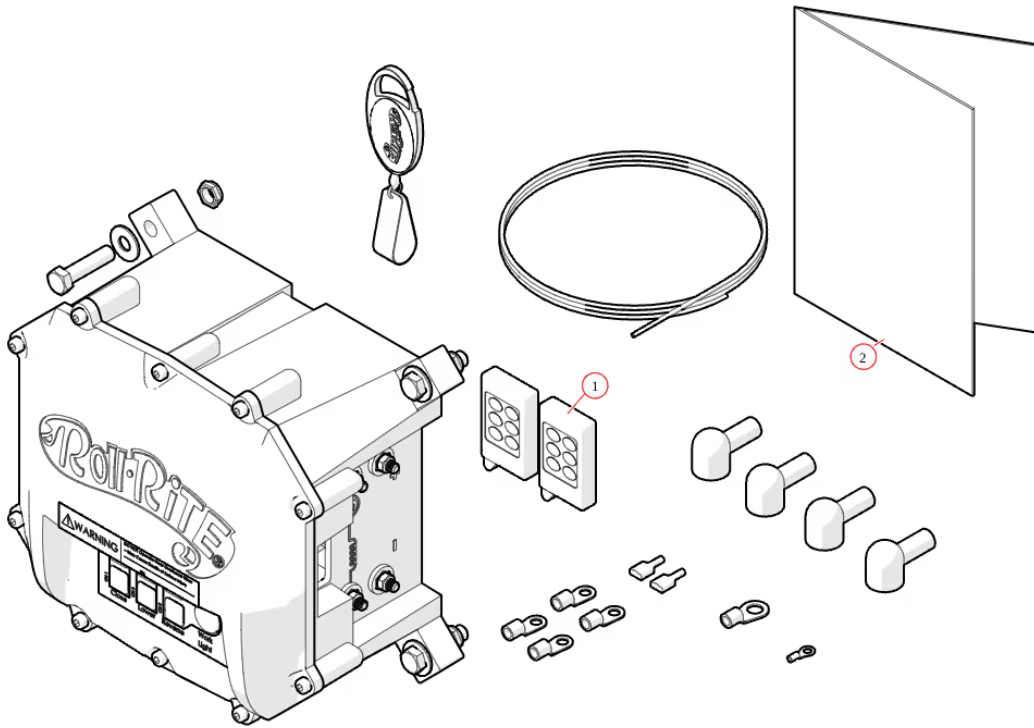
36479 Spool Kit, Super Duty Tarp Spool w/98" Integrated Housing S/N: SDX



Bom Id	Part #	Description	Qty
1	10122	Super Duty Motor 12V. 5 Year Warranty :S/N:	1
2	36164	Housing. Spool 98" Aluminum Integrated Housing	1
3	31030	Axle. 97" Pre-Threaded Tarp Axle w/Stub Shaft	1
4	31050	Bearing. 3/4" Flanged Axle Bearing with bolts	1

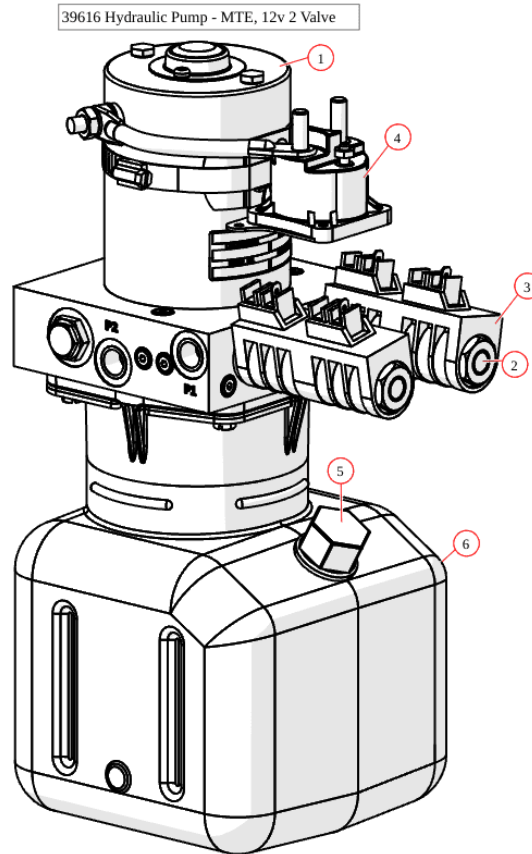
19865

19865 Control Box, wireless Black Control Box for Waste, 12 V



Bom Id	Part #	Description	Qty
1	19801	RF Transmitter/FOB. 433MHz. Gen1 Motor Relay	2
2	101786	Instructions. Push button Control Box	1

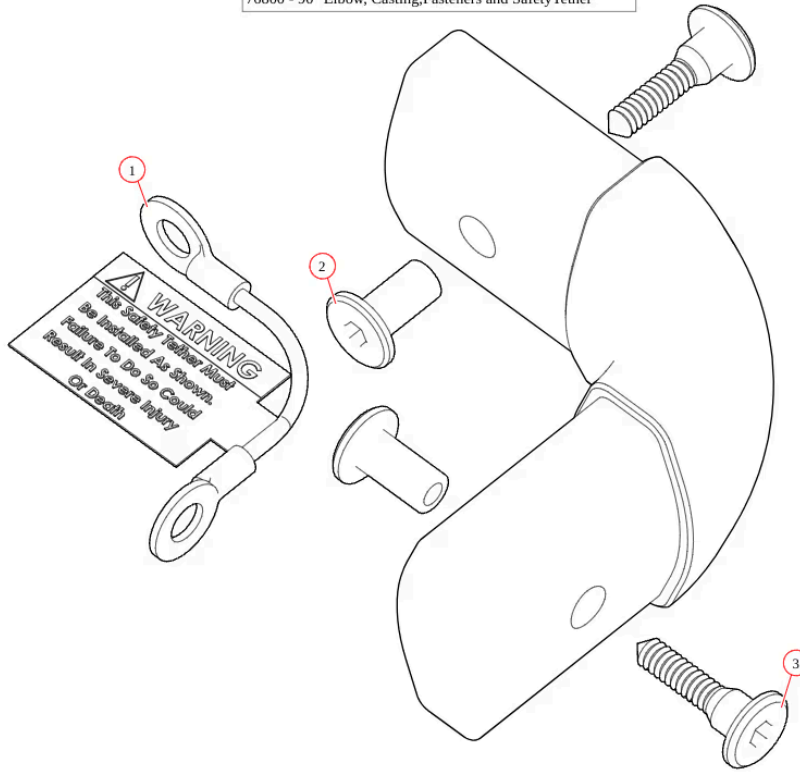
39616



Bom Id	Part #	Description	Qty
1	102832	Motor. Replacement Motor for Hydraulic Pump 12 V (39612 & 39712) MTE39200513	1
2	103412	Valve. 3P4W. Closed Center. MTE	2
3	102079	Solenoid. 12VDC Start Switch for Power Unit (39612 & 39712) MTE39002136	4
4	102078	Coil. 12VDC for Power Unit (39612 & 39712) MTE39002301	1
5	102073	Cap Kit (Cap and Rubber Grommet)	1
6	102074	Tank Kit. 1 Gallon MTE	1

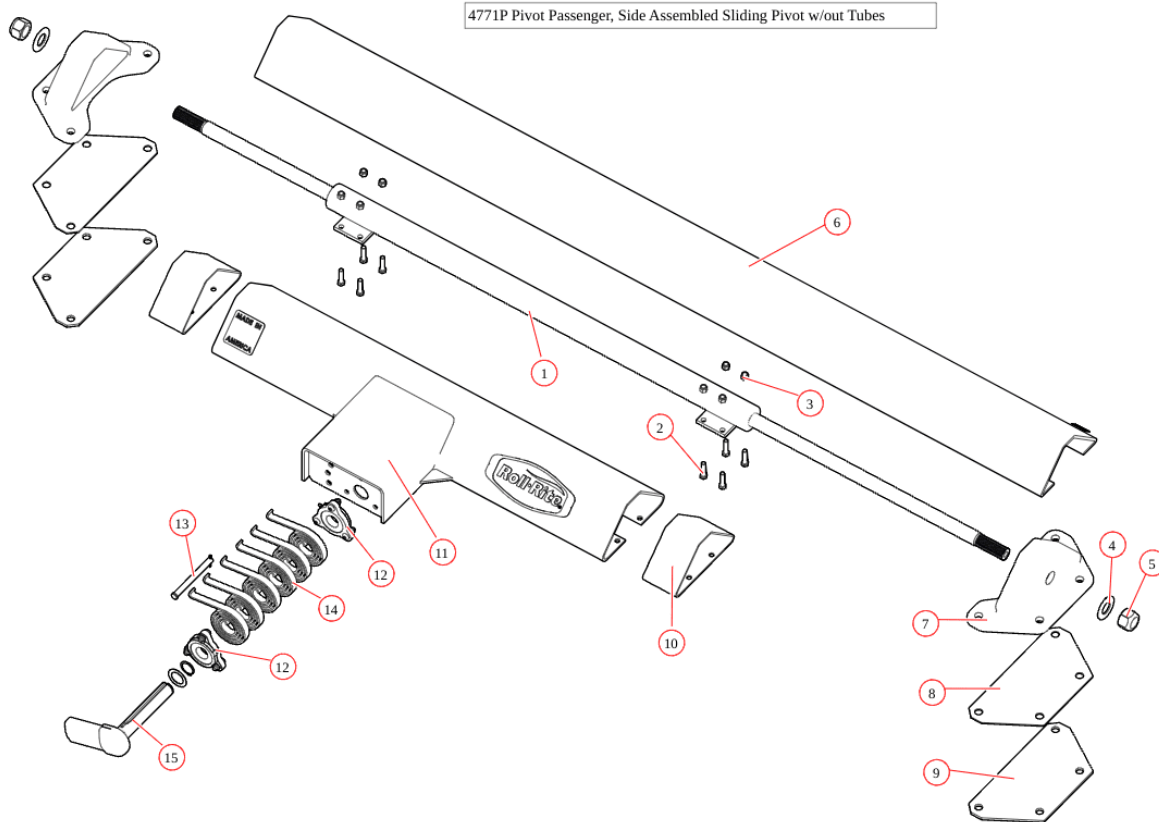
76800

76800 - 90° Elbow, Casting, Fasteners and Safety Tether



Bom Id	Part #	Description	Qty
1	103533	Tether. Cable with Install Label for 90 degree corner	1
2	18719	Nut. 1/4-20 Cap Conn Nut Clear Zinc - Post bolt for 90 degree corners	2
3	18718	Bolt. 1/4-20 x 1 3/16 Bolt Clear Zinc - Post bolt for 90 degree corners	2

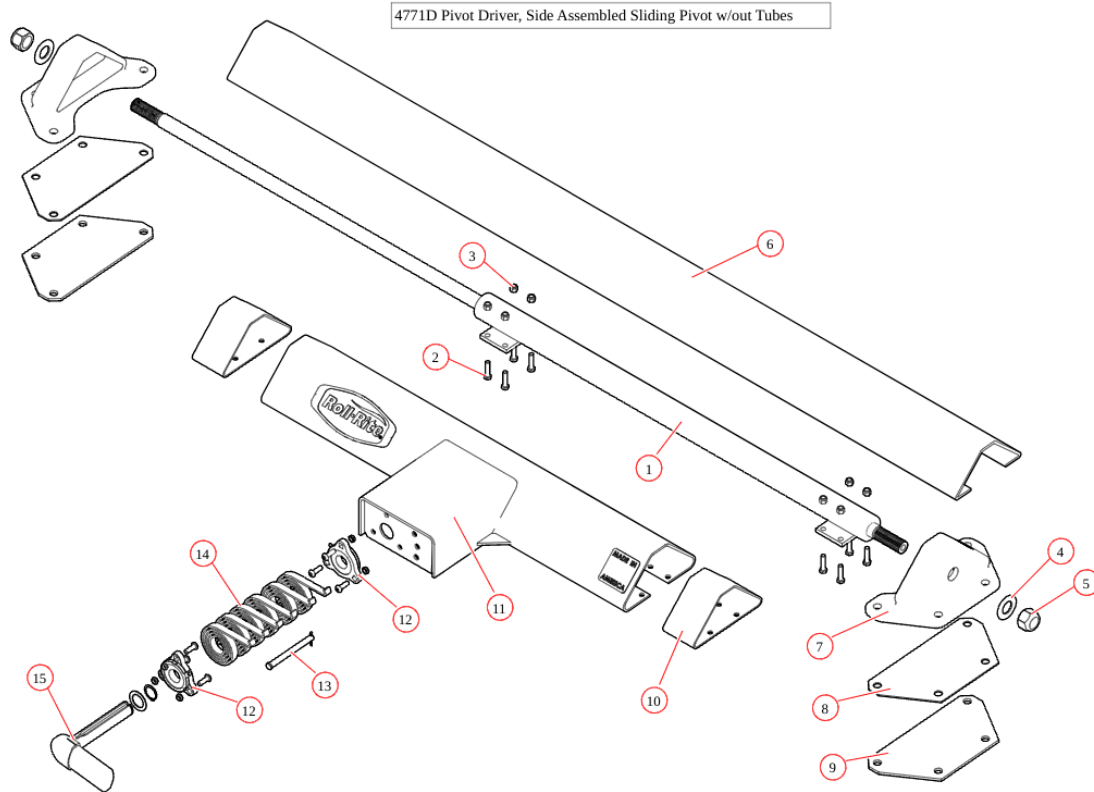
4771P



4771P Pivot Passenger, Side Assembled Sliding Pivot w/out Tubes

Bom Id	Part #	Description	Qty
1	47781	Cylinder. Hydraulic only for 3' Sliding Pivot (each)	1
2	18286	Bolt. 3/8" x 1- 1/2" Hex Head	4
3	18625	Nut. Nylock nut 3/8"	4
4	18420	Washer. 1-1/8" SAE Flat Zinc	2
5	18645	Nut. 1- 1/8" -12 Nylock Nut	2
6	47820	Inner Extrusion. for 3' Sliding Pivot	1
7	46750	Bracket. Triangular Cast End Bracke for Sliding Pivot (Pair)	2
8	46752	Spacer. Triangular Sliding Pivot Plastic Tyvek Mount Spacer	2
9	46751	Plate. Triangular Sliding Pivot Mounting Plate (Each)	2
10	46740	Bushing. for Roll Off Sliding Pivot Triangle (pair)	2
11	47750	Pivot. Outer Extr w/ 6 Sp Pvt Brkt for 3' LP Sld Pv-Pas	1
12	47800	Bearing. Carrier Underbody Flanged	2
13	18540	Pin. 1/2" x 5-1/4" Clevis	1
14	47230	Spring. Spiral Torsion Spring 1 1/4"	6
15	46370	Pivot Pin. for 5 & 6-Spring Roller Bearing - Passenger	1

4771D



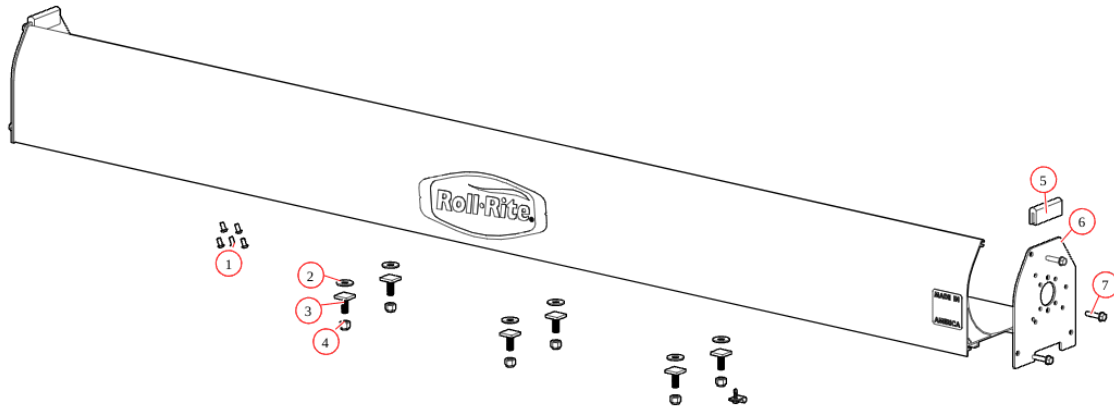
Bom Id	Part #	Description	Qty
1	47781	Cylinder. Hydraulic only for 3' Sliding Pivot (each)	1
2	18286	Bolt. 3/8" x 1- 1/2" Hex Head	4
3	18625	Nut. Nylock nut 3/8"	4
4	18420	Washer. 1-1/8" SAE Flat Zinc	2
5	18645	Nut. 1- 1/8" -12 Nylock Nut	2
6	47820	Inner Extrusion. for 3' Sliding Pivot	1
7	46750	Bracket. Triangular Cast End Bracke for Sliding Pivot (Pair)	2
8	46752	Spacer. Triangular Sliding Pivot Plastic Tyvek Mount Spacer	2
9	46751	Plate. Triangular Sliding Pivot Mounting Plate (Each)	2
10	46740	Bushing. for Roll Off Sliding Pivot Triangle (pair)	2
11	47740	Bracket. Pivot. Outer Extr w/6 Sp. Pvt Brkt for 3' Lw Prfl Pvt Dr	1
12	47800	Bearing. Carrier Underbody Flanged	2
13	18540	Pin. 1/2" x 5-1/4" Clevis	1
14	47230	Spring. Spiral Torsion Spring 1 1/4"	6
15	46360	Pivot Pin. for 5 & 6 Spring Roller Bearing - Drivers Side	1



Bill of Materials List

36164

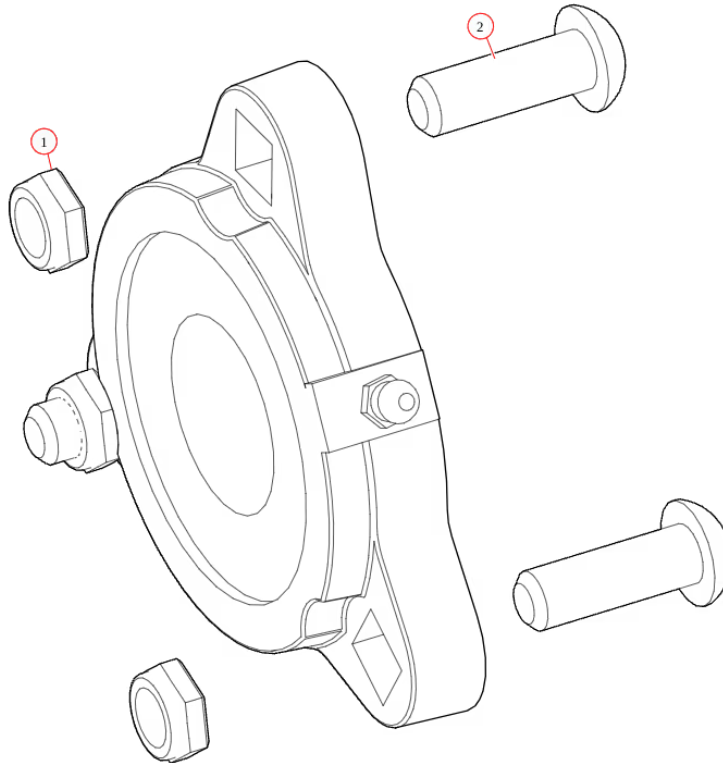
36164 Housing, Spool 98" Aluminum Integrated Housing



Bom Id	Part #	Description	Qty
1	18260	Bolt. 5/16" x 5/8" Button Head Bolt - Zinc Plated	5
2	18412	Washer. 1/2" Flat Zinc	6
3	18245	Bolt. T-Bolt 1/2-13NCx1.75 for GAB	6
4	18631	Nut. 1/2" Nylock Nut	6
5	36300	Bumper. Rubber Bumper for Tarp Spool (each)	2
6	36331	Bracket. Int Housing Aluminum Endcaps - Drivers Side	2
7	18120	Bolt. 3/8" x 1-1/2" Thread Cutting Screw Hex Washer Hd	6

47800

47800 Bearing, Carrier Underbody Flanged



Bom Id	Part #	Description	Qty
1	18628	Nut. Nylock nut 3/8" Jamb Nut	2
2	18242	Bolt. 3/8"-16 x 1 1/8" Button Head	2