



Bill of Materials List

DC426, SD Dual Stage Tower, 16 Spring 22' Top Mount Ext Duty Pivot, Extreme Bow Set

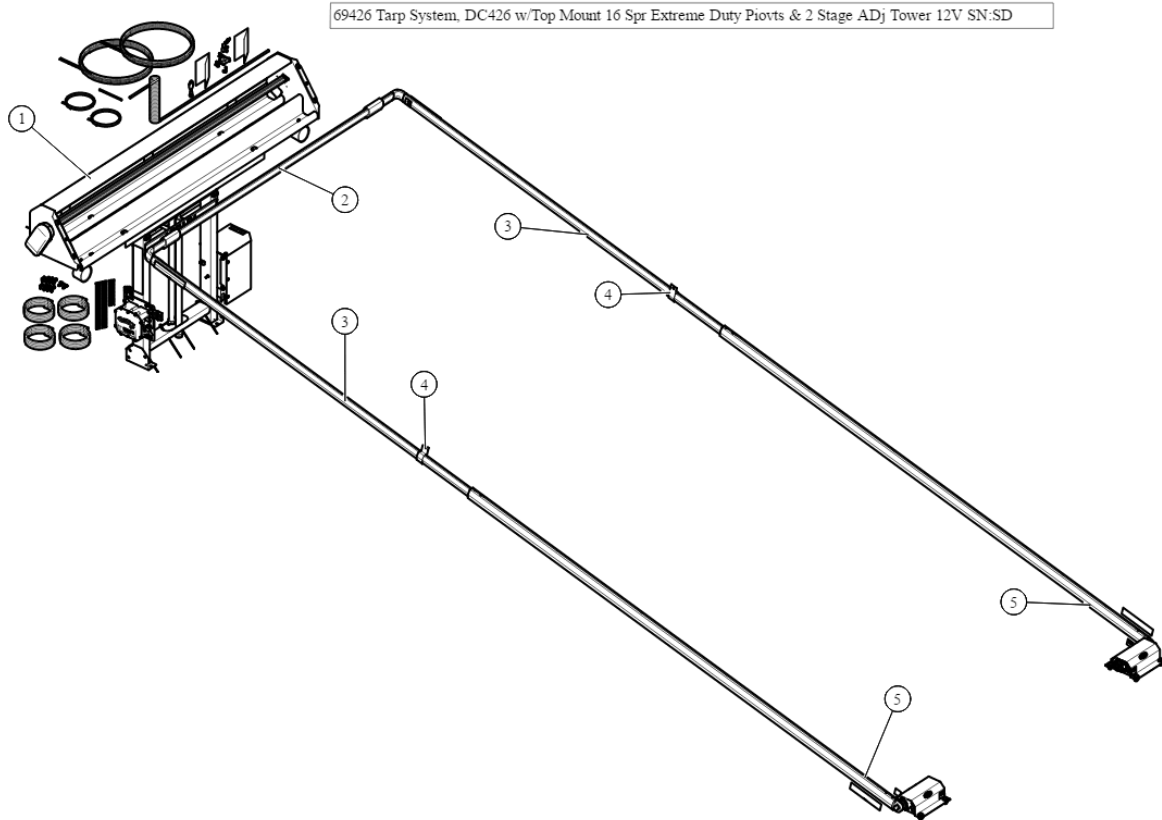


Product #: 69426



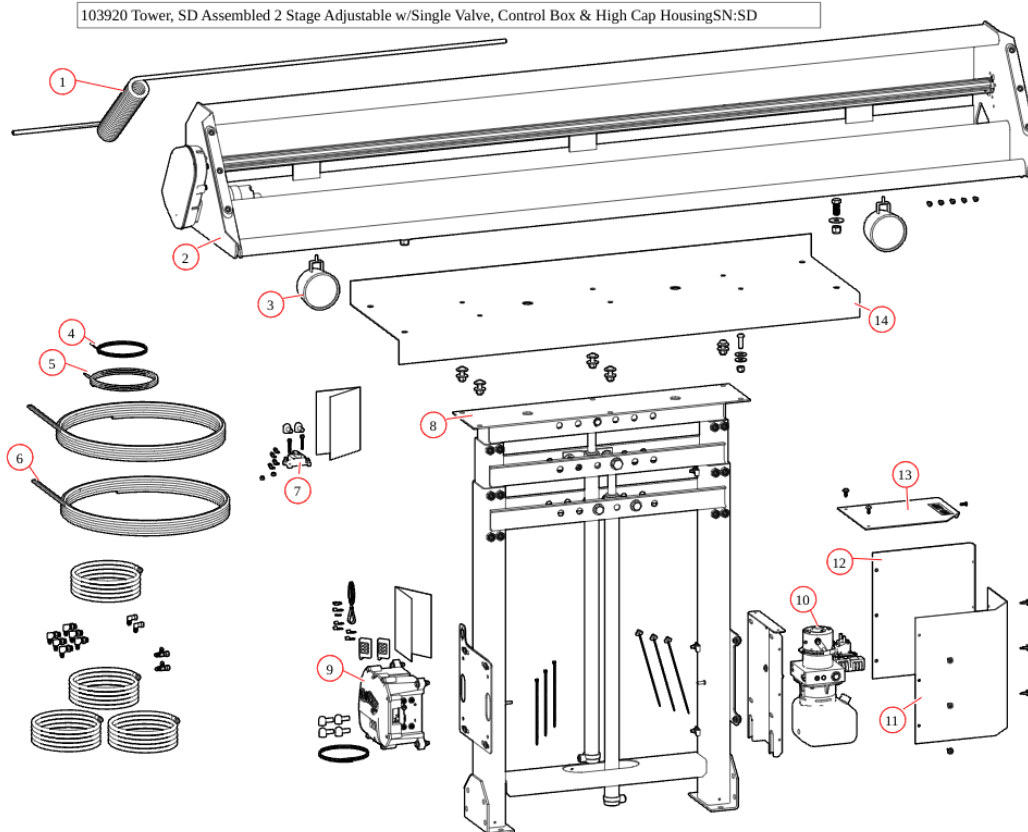
Bill of Materials List

69426



Bom Id	Part #	Description	Qty
1	103920	Tower. SD Assembled 2 Stage Adjustable w/Single Valve. Control Box & High Cap HousingSN:SD	1
2	76723	103 1/2" Wide Extreme Duty Top Tube Kit w/ Extreme Duty 90 Degree Elbows	1
3	46262	Pivot Tube. 22' w/ Set Screws	2
4	76831	Bracket. Pivot Arm Tie Down	2
5	104276	Top Mount Ext Duty Pivot Set. 16 Spring w/ Tubes and Hardware	1

103920



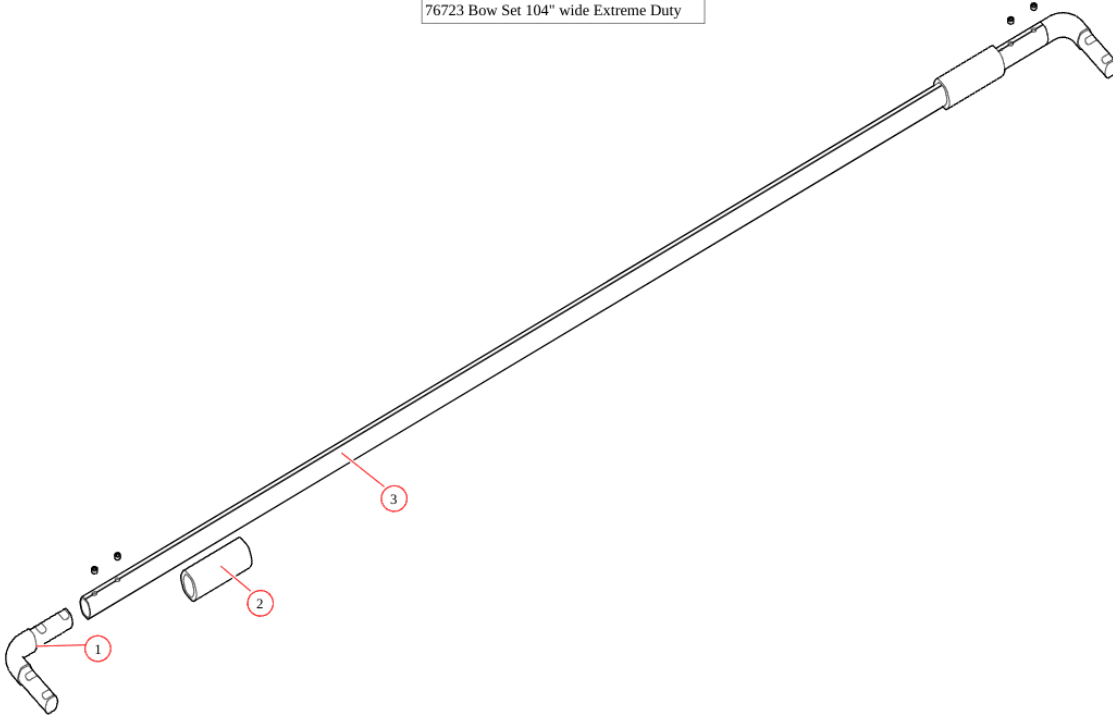
Bom Id	Part #	Description	Qty
1	11328	Wire. 2 Stage Tower Coil 110" - Assembled	1
2	36052	Spool Kit. Super Duty High Capacity 104"	1
3	104103	Light. Work Light LED 12V	2
4	11347	Wire. 16 ga. Single-Conductor (per foot) (500/reel)	1
5	11345	Wire. 16 ga. 2-Conductor (per foot)	2
6	11330	Wire. 6 Ga. Dual Conductor - (per ft)	2
7	17913	Breaker. 100 amp Manual Reset Breaker Kit for 24V & 12V Integrated pump	1
8	39005	Tower. Dual Stage Steel Tower w/Hydraulic. Cylinder for Integrated Housing	1
9	19865	Control Box. Wireless Black Control Box - 12/24V Waste	1
10	39612	Hydraulic Power Unit. 12V. 1 Valve	1
11	39615	PUMP COVER. POLY SIDE COVER FOR VERT MOUNT PUMP	1
13	10778	Bracket. Steel Vert Pump Mount Cover	1
14	39033	Bracket. Steel Wing Mount for High Capacity Tarp Spool Housing	1



Bill of Materials List

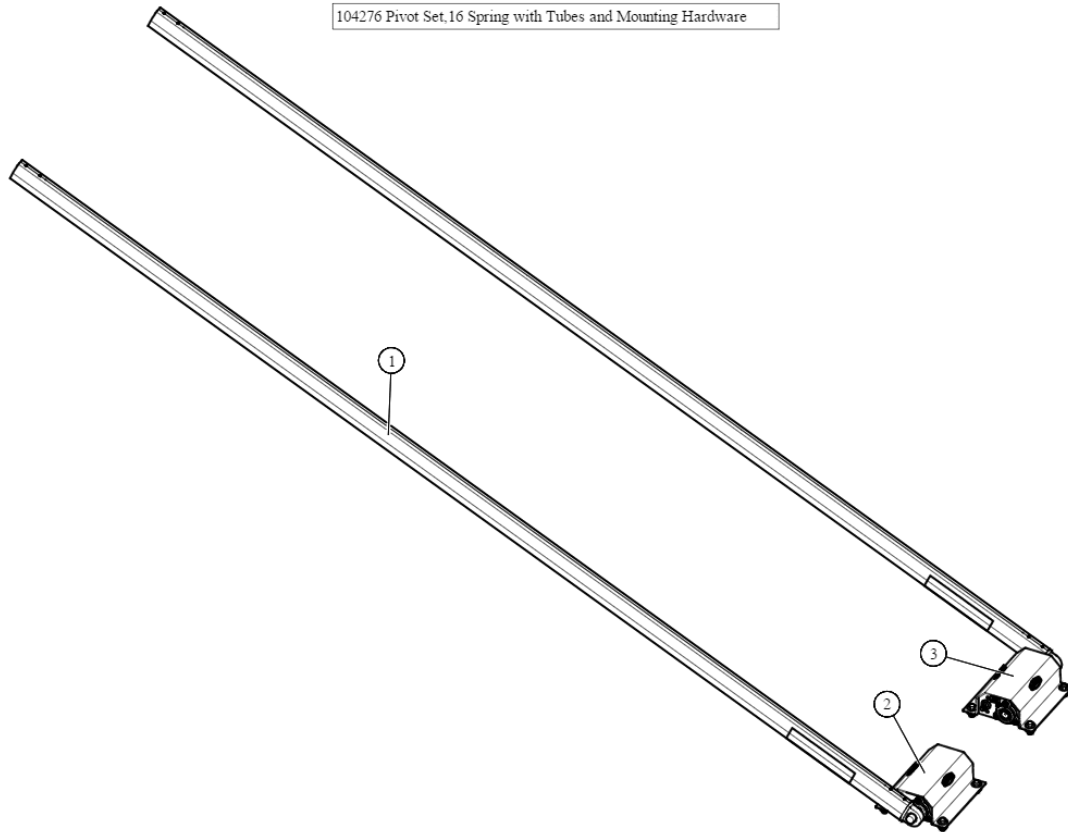
76723

76723 Bow Set 104" wide Extreme Duty



Bom Id	Part #	Description	Qty
1	76805	Casting. Extreme Duty Corner - 90 Degree (each)	2
2	76814	Flange. Extreme Duty Tarp Centering Flange 6"	2
3	76875	Bow Tube. Extreme Duty "WIDE" Bow Top Tube (103")	1

104276



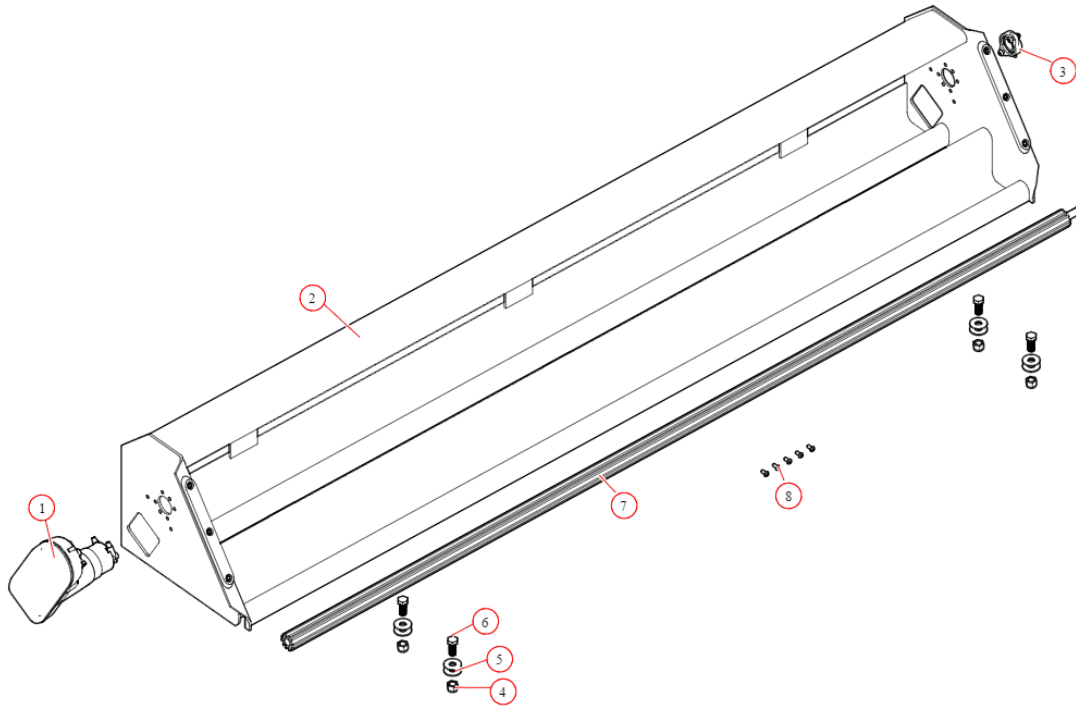
Bom Id	Part #	Description	Qty
1	101188	Socket Tube (Drilled & Tapped - 160")	1
2	103626	Pivot Assembly. 16 Spring Ext Duty Top Mount w/out Tube - Passenger Side	1
3	103625	Pivot Assembly. 16 Spring Ext Duty Top Mount w/out Tube - Driver Side	1



Bill of Materials List

36052

36052 Spool Kit, Super Duty High Capacity 104"



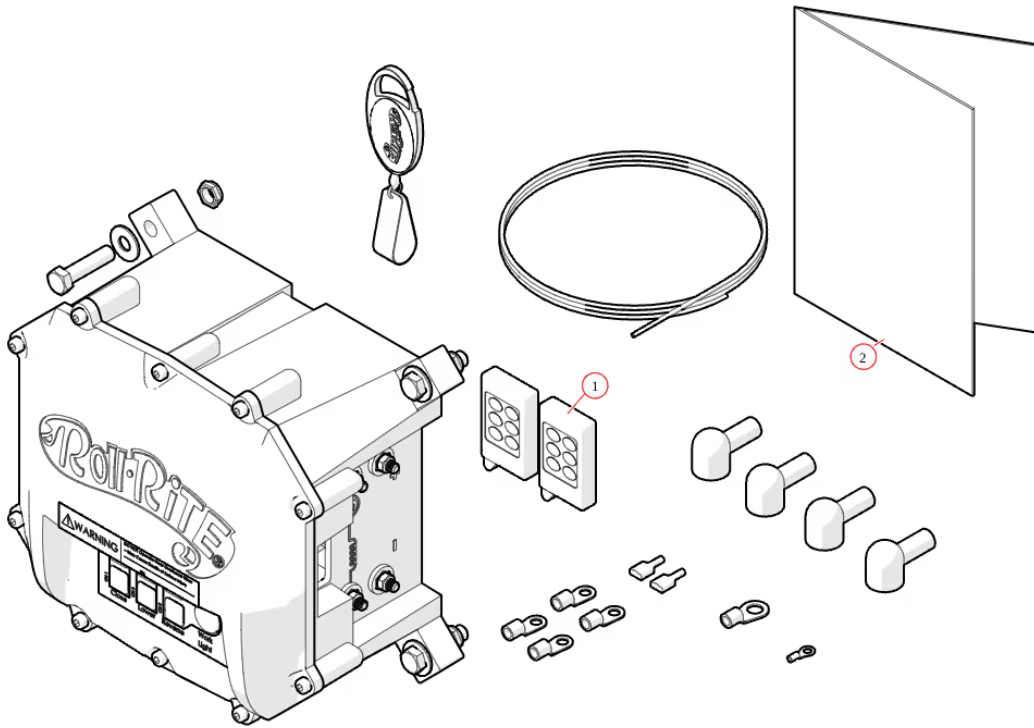
Bom Id	Part #	Description	Qty
1	10122	Super Duty Motor 12V. 5 Year Warranty :S/N:	1
2	36172	Housing. 104" High Capacity Tarp Spool	1
3	31050	Bearing. 3/4" Flanged Axle Bearing with bolts	1
4	18635	Nut. 5/8" Nylock Nut	4
5	18414	Washer. 5/8" Flat Zinc	8
6	18710	Bolt. 5/8" x 1 1/2" Bolt Zinc	4
7	31040	Axle. 103" Pre-ThreadedTarp Axle w/Stub Shaft	1
8	18260	Bolt. 5/16" x 5/8" Button Head Bolt - Zinc Plated	5



Bill of Materials List

19865

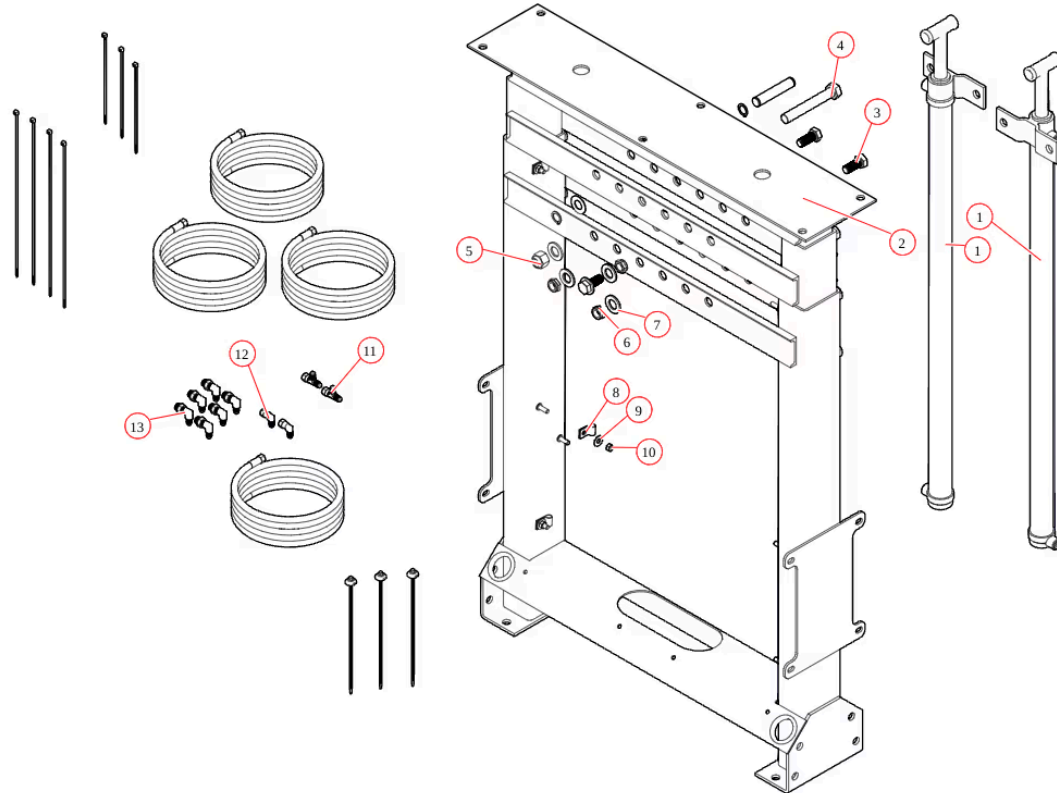
19865 Control Box, wireless Black Control Box for Waste, 12 V



Bom Id	Part #	Description	Qty
1	19801	RF Transmitter/FOB. 433MHz. Gen1 Motor Relay	2
2	101786	Instructions. Push button Control Box	1

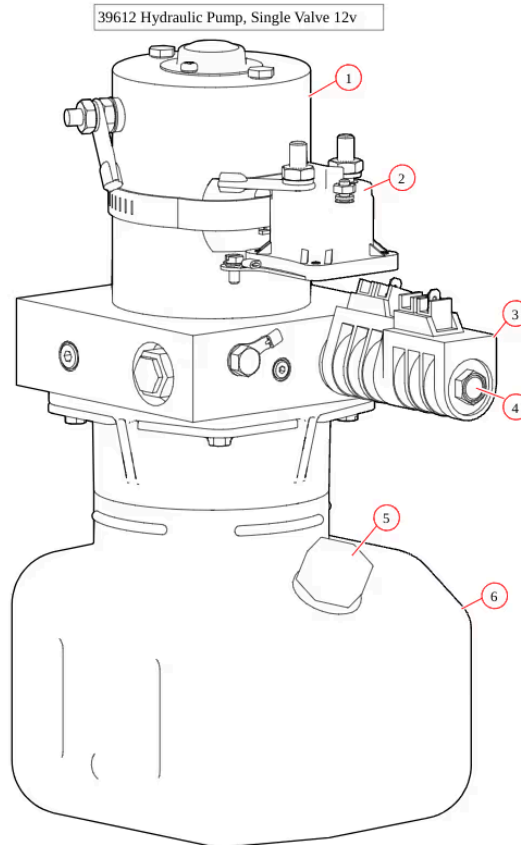
39005

39005 Tower, Dual Stage Adjustable Tower w/Hydraulic Cylinder - Integrated Housing



Bom Id	Part #	Description	Qty
1	39520	Cylinder. 1.5" Bore x 36" Stroke DA. Single Flange Mount	2
2	101472	Tower. 2 Stage Tower for Int Housing - Stationary Dual stage	1
3	18710	Bolt. 5/8" x 1 1/2" Bolt Zinc	3
4	18721	Bolt. 3/4" x 5" Hex Head	1
5	18640	Nut. 3/4" Nylock Nut	1
6	18716	Nut. 5/8" Nylock Jamb Nut Zinc	3
7	18734	Washer. 3/4 Zinc SAE Washer	4
8	16345	Clamp. 1/2" Rubber Coated	1
9	18400	Washer. 5/16" USS Flat Zinc	3
10	18613	Nut. 5/16" Nylock Nut	3
11	39314	Adapter. Tee #4 Male Tube to #4 Female Swivel to #4 male Tube	2
12	39297	Adapter. 90 #4 Male tube to #4 37° female swivel	2
13	39098	Adapter. 90 #4 Male Tube to #6 Adj Male Oring	6

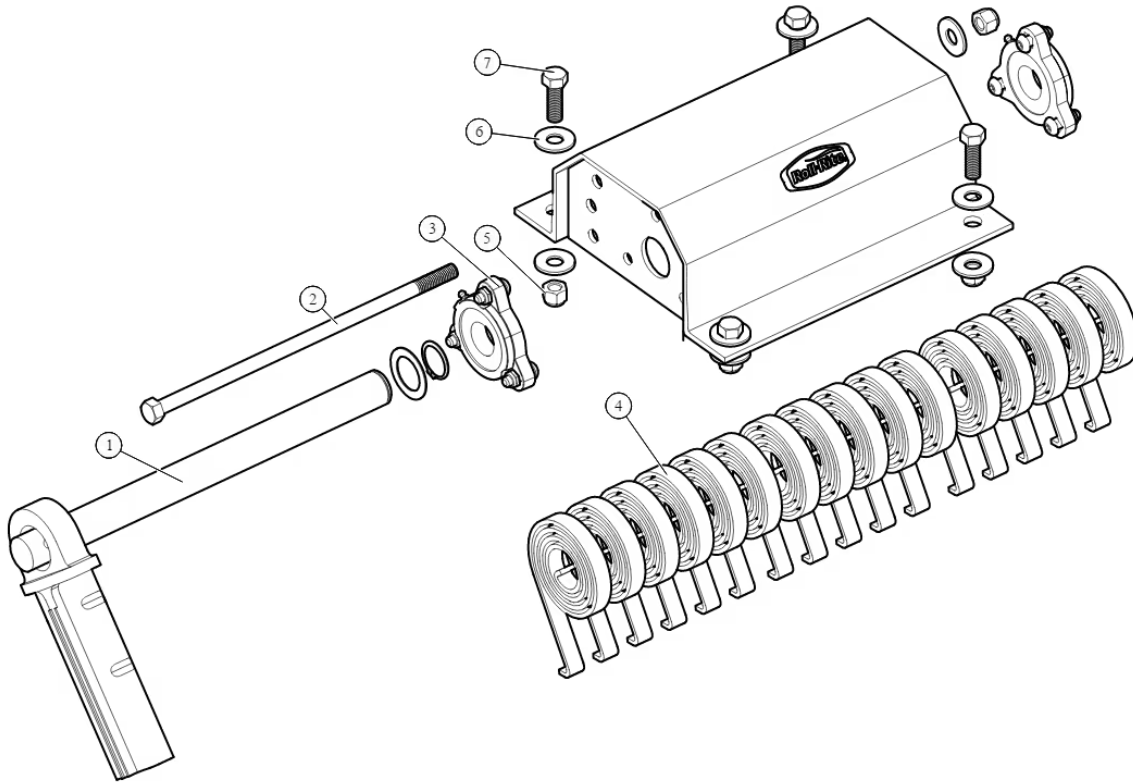
39612



Bom Id	Part #	Description	Qty
1	102832	Motor. Replacement Motor for Hydraulic Pump 12 V (39612 & 39712) MTE39200513	1
2	102079	Solenoid. 12VDC Start Switch for Power Unit (39612 & 39712) MTE39002136	1
3	102078	Coil. 12VDC for Power Unit (39612 & 39712) MTE39002301	2
4	102080	Valve. 3P4W Tandem Center Directional Power Unit (39612)MTE38502324	1
5	102073	Cap Kit (Cap and Rubber Grommet)	1
6	102074	Tank Kit. 1 Gallon MTE	1

103626

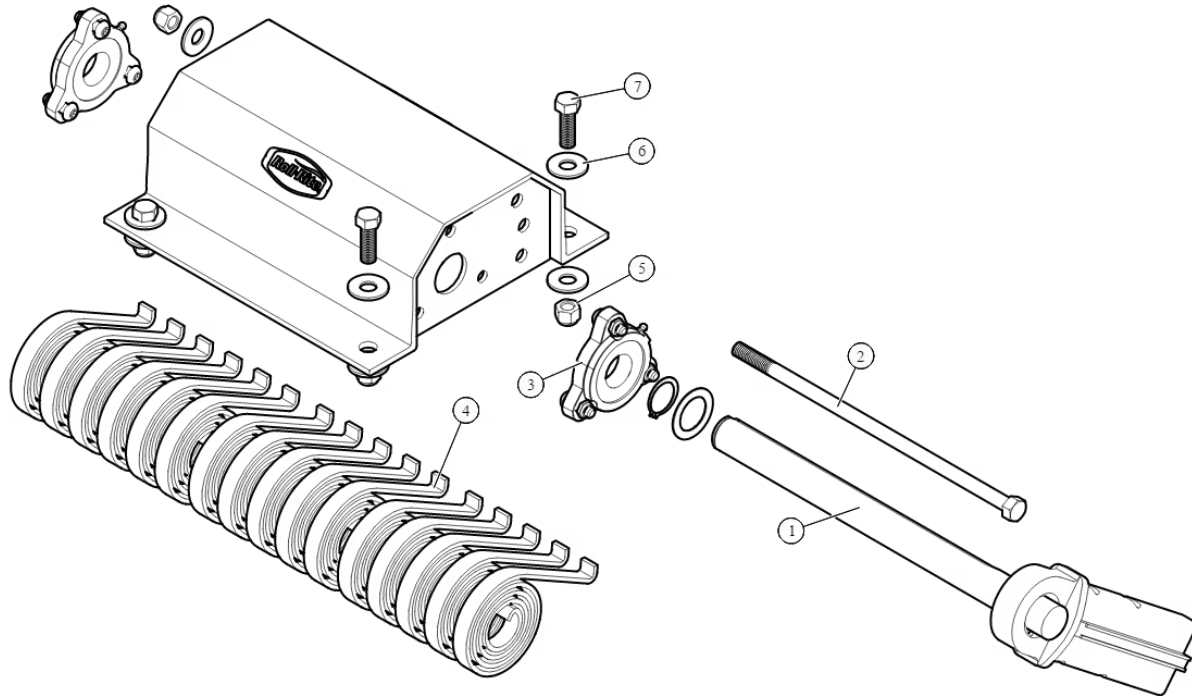
103626 Pivot Assembly, 16 Spring Ext Duty Top Mount w/out Tube - Passenger Side



Bom Id	Part #	Description	Qty
1	101005	Pivot Pin. for 16-Spring Ext Duty Roller Bearing - Pass	1
2	18575	Bolt. Bolt for Pin. 1/2" x 13 Zinc Hex Head Grade 5 - 16 spring box	1
3	47800	Bearing. Carrier Underbody Flanged	2
4	47230	Spring. Spiral Torsion Spring 1 1/4"	16
5	18631	Nut. 1/2" Nylock Nut	4
6	18412	Washer. 1/2" Flat Zinc	8
7	18296	Bolt. 1/2" x 1 1/2" Hex Head Bolt	4

103625

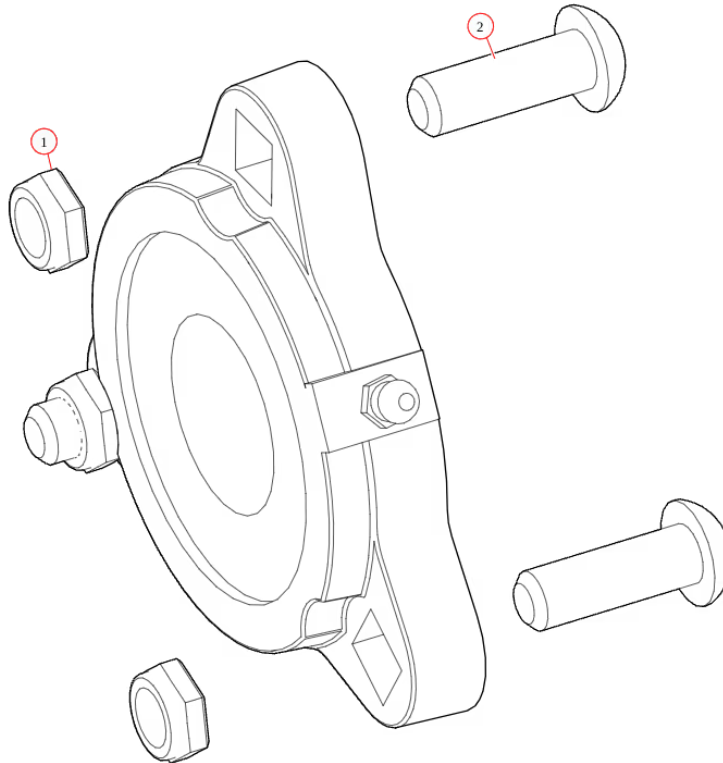
103625 Pivot Assembly, 16 Spring Ext Duty Top Mount w/out Tube - Driver Side



Bom Id	Part #	Description	Qty
1	101004	Pivot Pin. for 16-Spring Ext Duty Roller Bearing - Driver	1
2	18575	Bolt. Bolt for Pin. 1/2" x 13 Zinc Hex Head Grade 5 - 16 spring box	1
3	47800	Bearing. Carrier Underbody Flanged	2
4	47230	Spring. Spiral Torsion Spring 1 1/4"	16
5	18631	Nut. 1/2" Nylock Nut	4
6	18412	Washer. 1/2" Flat Zinc	8
7	18296	Bolt. 1/2" x 1 1/2" Hex Head Bolt	4

47800

47800 Bearing, Carrier Underbody Flanged



Bom Id	Part #	Description	Qty
1	18628	Nut. Nylock nut 3/8" Jamb Nut	2
2	18242	Bolt. 3/8"-16 x 1 1/8" Button Head	2