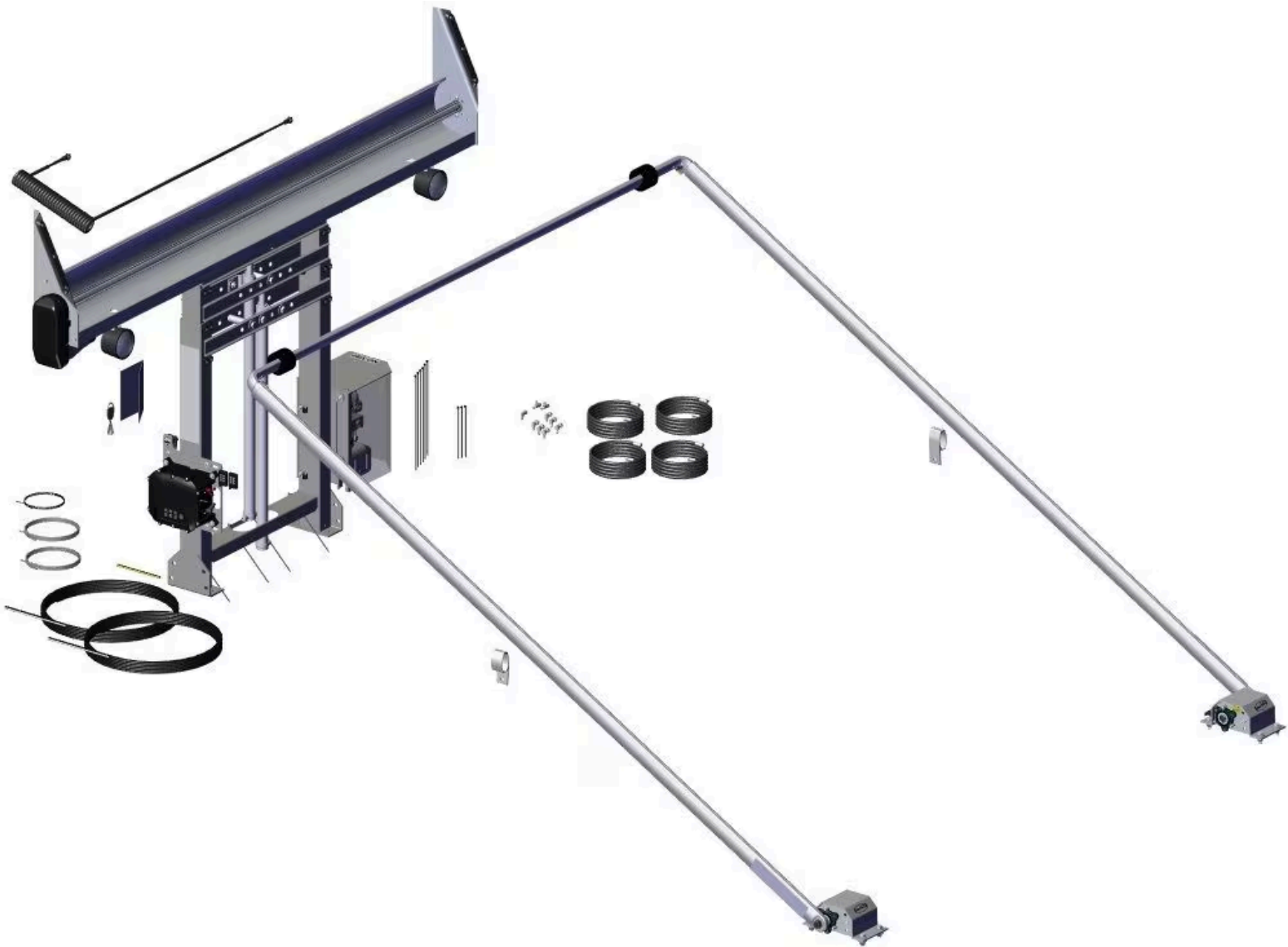




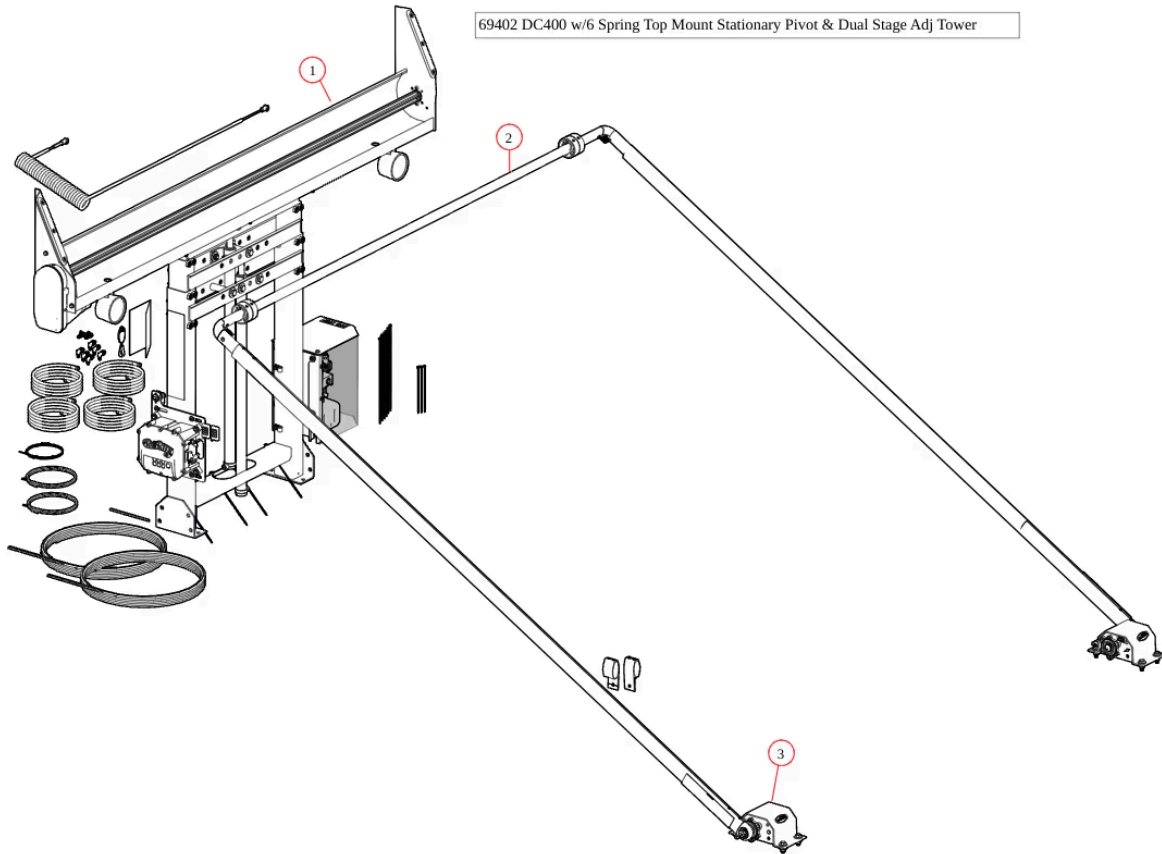
Bill of Materials List

DC402, SD Dual Stage Tower, 6 Spring Top Mount Pivot, Wide Bow Set



Product #: 69402

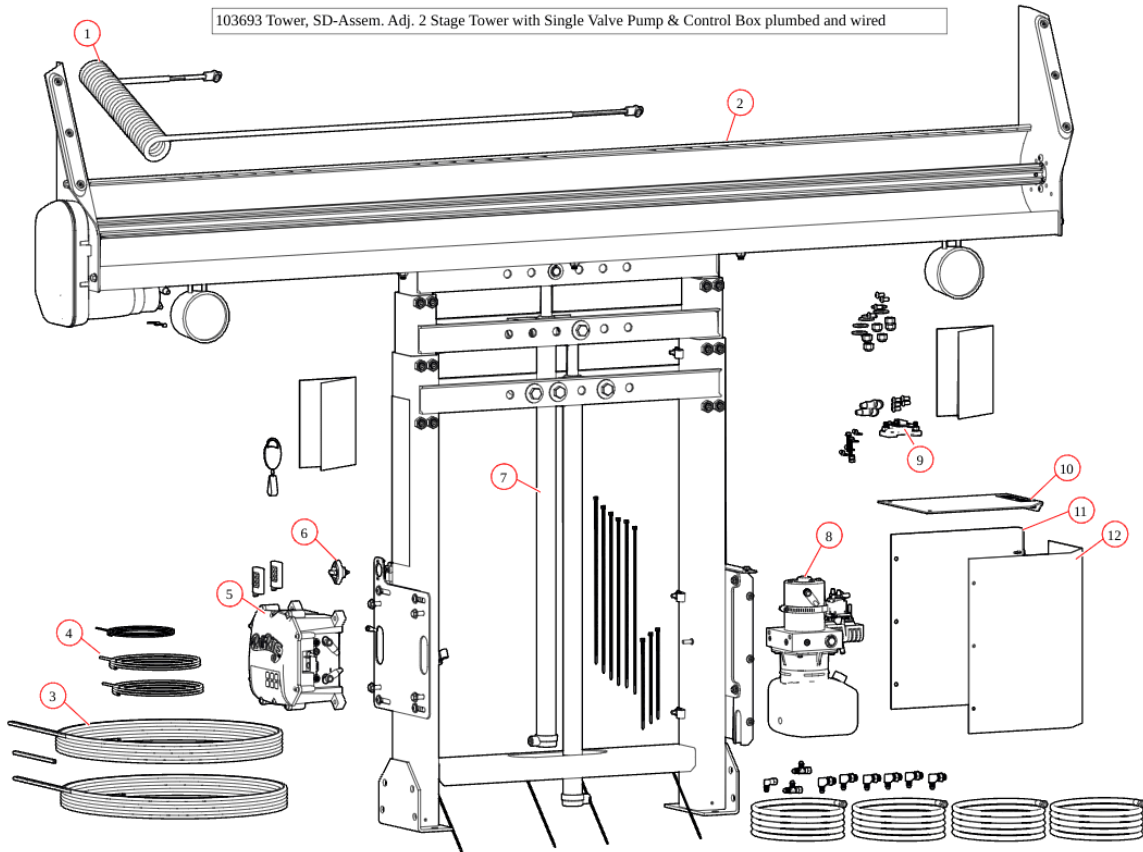
69402



69402 DC400 w/6 Spring Top Mount Stationary Pivot & Dual Stage Adj Tower

Bom Id	Part #	Description	Qty
1	103639	Tower Assembly. Super Duty Dual Stage Tower w/Single Valve Pump & Control Box	1
2	76720	Bow Set. 103 1/2" Wide Top Tube and 103 1/2" Side Arms	1
3	46590	Pivot Set. Top Mount 6 Spring Pivot w/120" Tubes (B1-46591/B2-46592)	1

103639

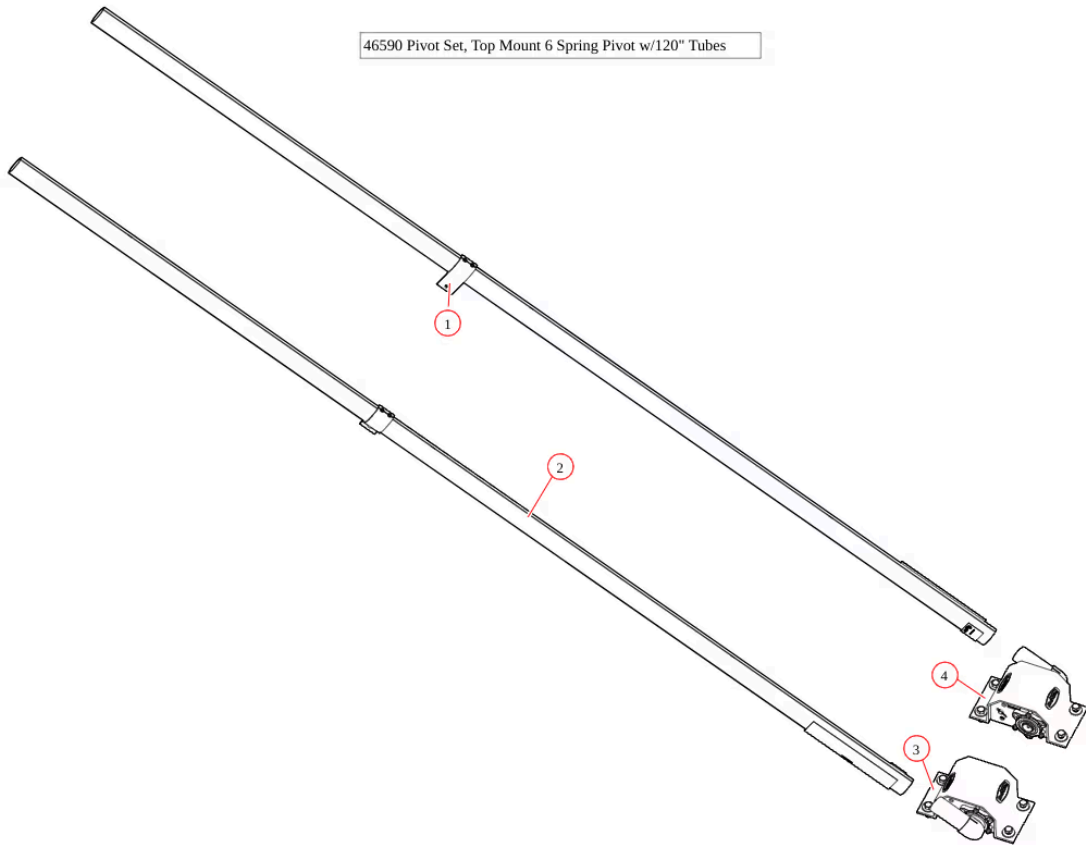


Bom Id	Part #	Description	Qty
1	11328	Wire. 2 Stage Tower Coil 110" - Assembled	1
2	100527	Spool Kit. Super Duty Tarp Spool w/98" Integrated Housing & High Wing	1
3	11330	Wire. 6 Ga. Dual Conductor - (per ft)	1
4	11345	Wire. 16 ga. 2-Conductor (per foot)	1
5	19865	Control Box. Wireless Black Control Box - 12/24V Waste	1
6	17918	Breaker. 35A Outdoor Manual Reset Circuit Breaker	1
7	39520	Cylinder. 1.5" Bore x 36" Stroke DA. Single Flange Mount	2
8	39612	Hydraulic Power Unit. 12V. 1 Valve	1
9	17913	Breaker. 100 amp Manual Reset Breaker Kit for 24V & 12V Integrated pump	1
10	10778	Bracket. Steel Vert Pump Mount Cover	1
12	39615	PUMP COVER. POLY SIDE COVER FOR VERT MOUNT PUMP	1



Bill of Materials List

46590



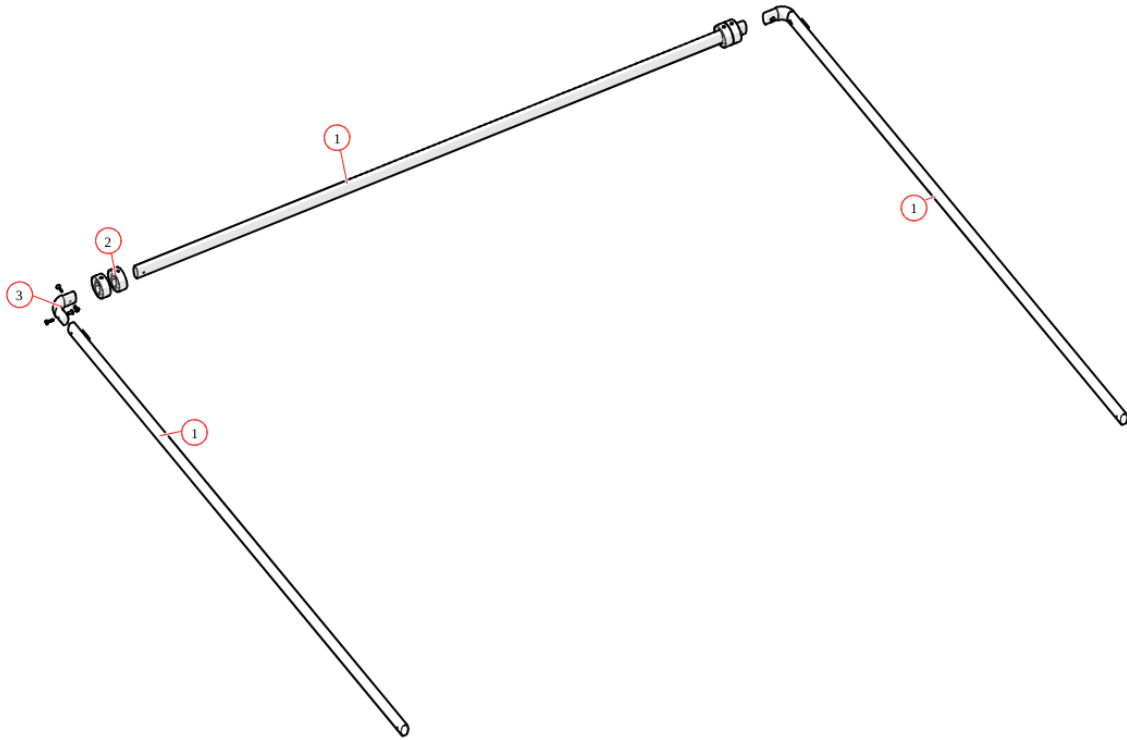
Bom Id	Part # Description	Qty
1	76831 Bracket. Pivot Arm Tie Down	2
2	46220 Pivot Tube. 120" w/Set Screws (each)	2
3	46480 Pivot Assembly. 6 Spring Top Mount Pivot w/out Tube - Passenger Side	1
4	46470 Pivot Assembly. 6 Spring Top Mount Pvt w/out Tube - Drivers Side	1



Bill of Materials List

76720

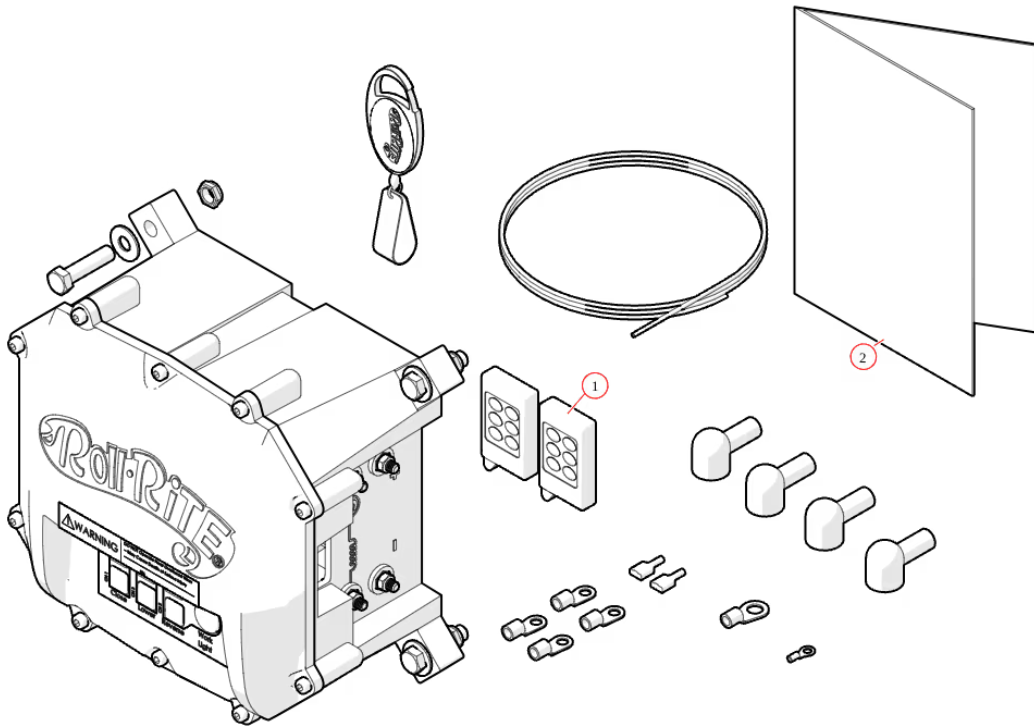
76720 Bow Set, 103 1/2" Wide Top Tube w/ 98" Bow Arms



Bom Id	Part #	Description	Qty
1	76870	Bow Tube. 103 1/2" AL Wide Top Tube for Tarp Bow	3
2	76810	Tarp Flange for Bow Tube (Pair)	2
3	76800	Casting. Aluminum Corner - 90 Degree With Fasteners and Tether	2

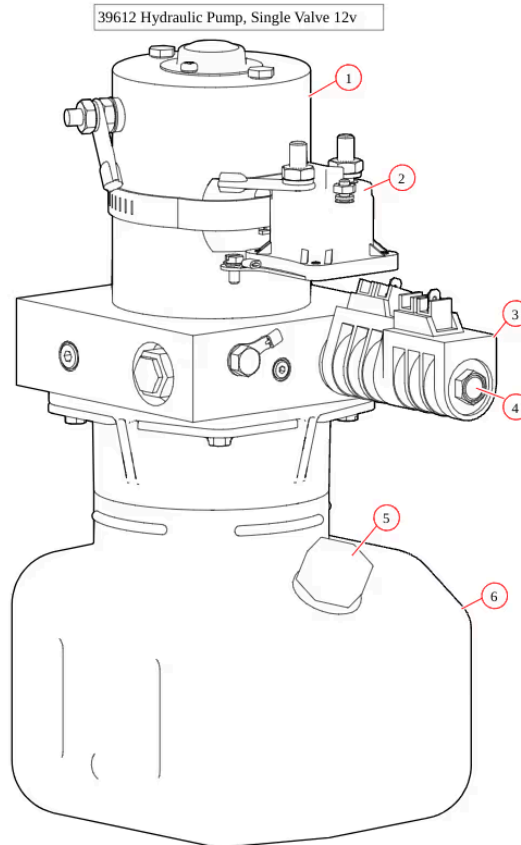
19865

19865 Control Box, wireless Black Control Box for Waste, 12 V



Bom Id	Part #	Description	Qty
1	19801	RF Transmitter/FOB. 433MHz. Gen1 Motor Relay	2
2	101786	Instructions. Push button Control Box	1

39612



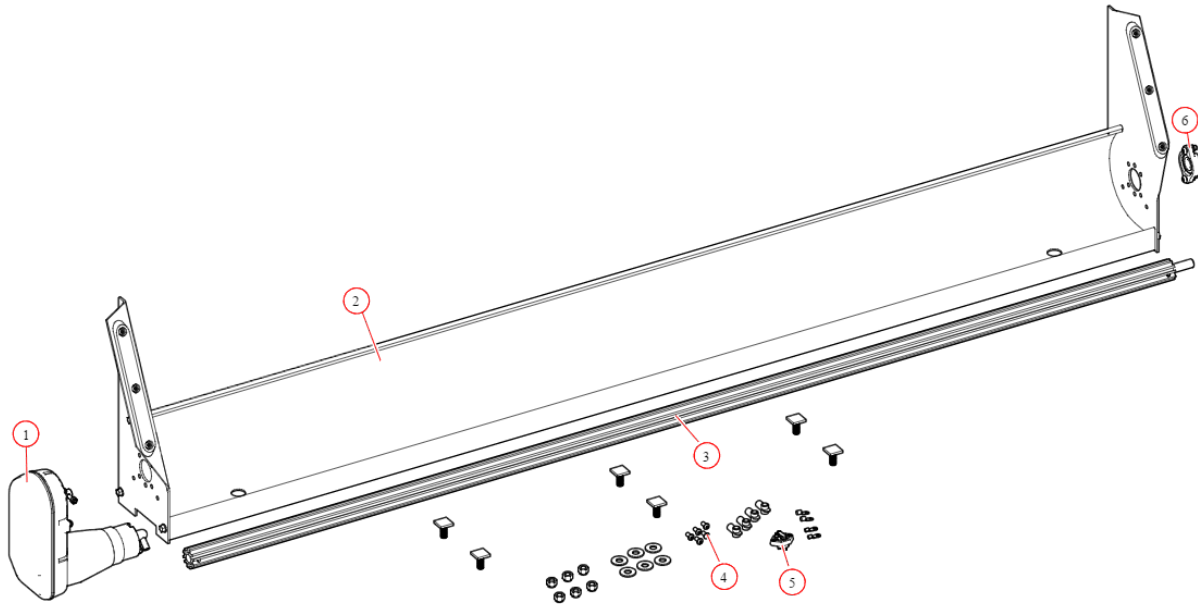
Bom Id	Part #	Description	Qty
1	102832	Motor. Replacement Motor for Hydraulic Pump 12 V (39612 & 39712) MTE39200513	1
2	102079	Solenoid. 12VDC Start Switch for Power Unit (39612 & 39712) MTE39002136	1
3	102078	Coil. 12VDC for Power Unit (39612 & 39712) MTE39002301	2
4	102080	Valve. 3P4W Tandem Center Directional Power Unit (39612)MTE38502324	1
5	102073	Cap Kit (Cap and Rubber Grommet)	1
6	102074	Tank Kit. 1 Gallon MTE	1



Bill of Materials List

100527

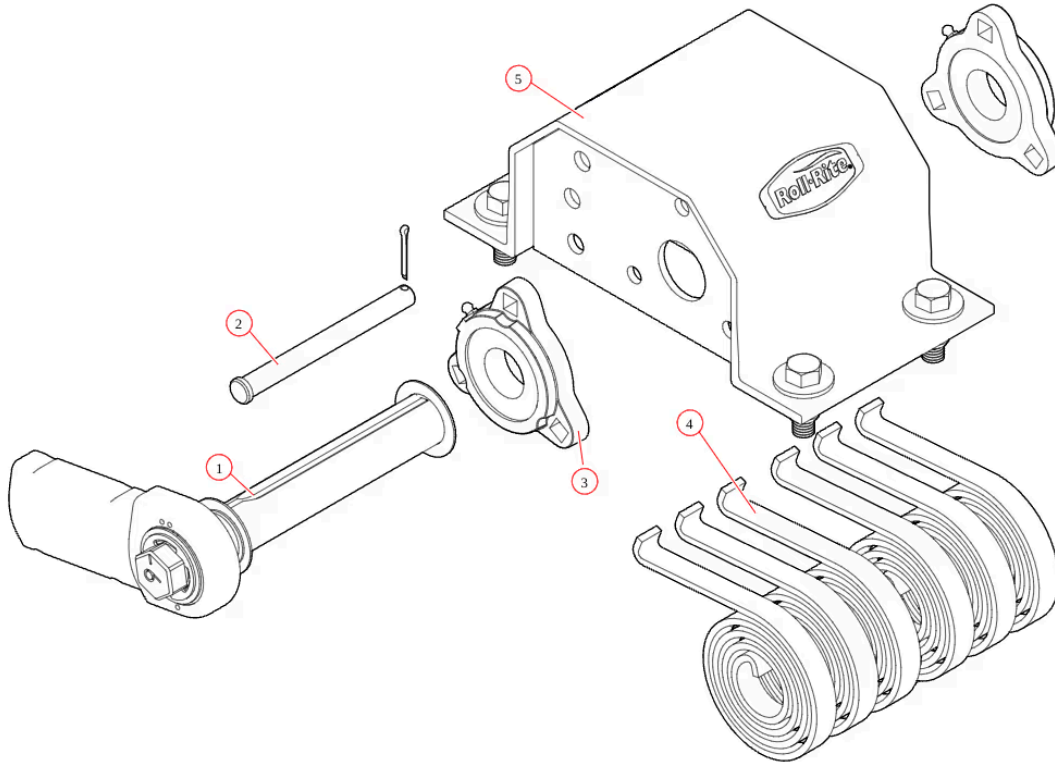
100527 Spool Kit, SD for Tower w/ 98" Int. Housing and High Wing Endcaps



Bom Id	Part # Description	Qty
1	10122 Super Duty Motor 12V. 5 Year Warranty :S/N:	1
2	36167 Housing. Spool 98" Aluminum Integrated Housing w/ Extended Endcaps	1
3	31030 Axle. 97" Pre-Threaded Tarp Axle w/Stub Shaft	1
4	18260 Bolt. 5/16" x 5/8" Button Head Bolt - Zinc Plated	5
5	17918 Breaker. 35A Outdoor Manual Reset Circuit Breaker	1
6	31050 Bearing. 3/4" Flanged Axle Bearing with bolts	1

46480

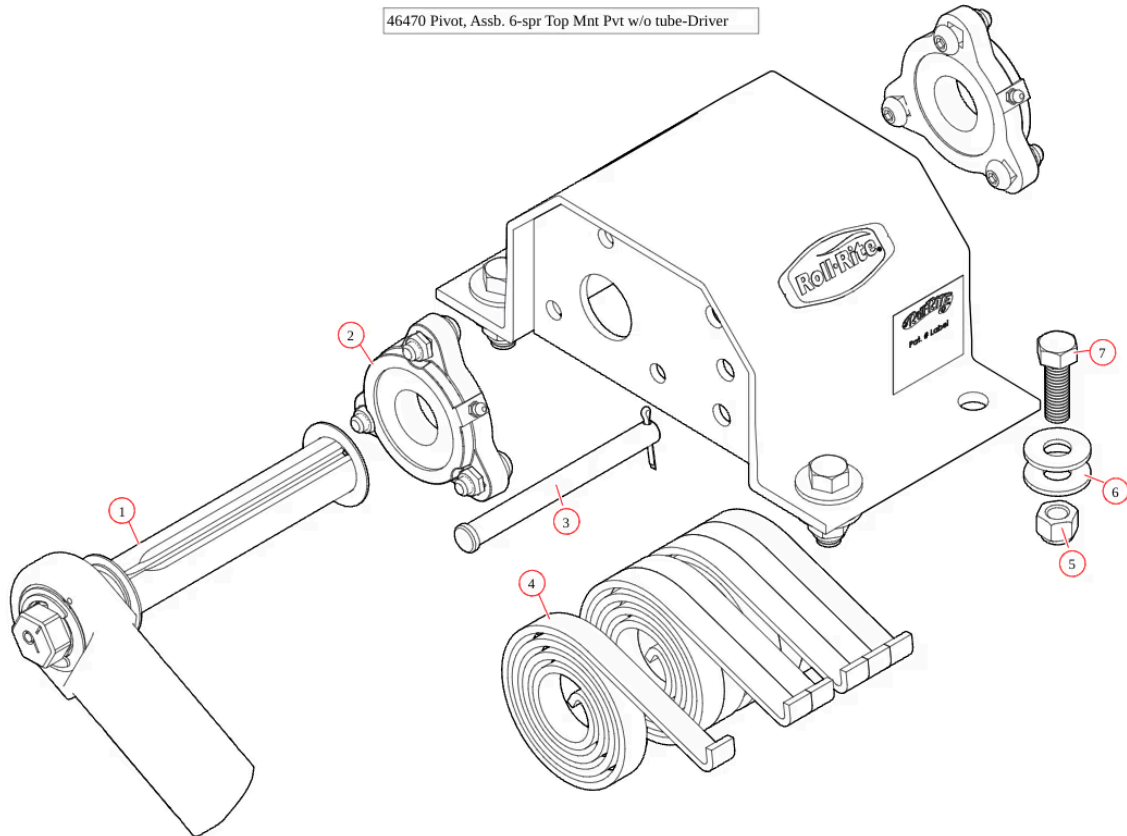
46480 Pivot, Assb. 6-spr Top mnt pvt w/o Tube-Pass



Bom Id	Part #	Description	Qty
1	46370	Pivot Pin. for 5 & 6-Spring Roller Bearing - Passenger	1
2	18540	Pin. 1/2" x 5-1/4" Clevis	1
3	47800	Bearing. Carrier Underbody Flanged	2
4	47230	Spring. Spiral Torsion Spring 1 1/4"	6
5	46400	Bracket. for 6-Spring Top Mount Pivots-each	1

46470

46470 Pivot, Assb. 6-spr Top Mnt Pvt w/o tube-Driver



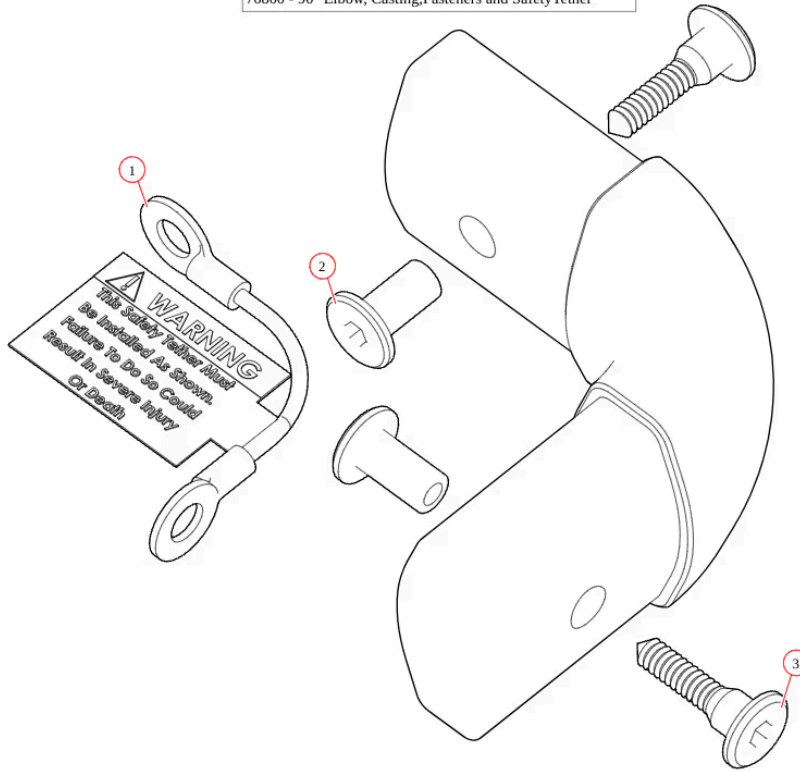
Bom Id	Part #	Description	Qty
1	46360	Pivot Pin. for 5 & 6 Spring Roller Bearing - Drivers Side	1
2	47800	Bearing. Carrier Underbody Flanged	2
3	18540	Pin. 1/2" x 5-1/4" Clevis	1
4	47230	Spring. Spiral Torsion Spring 1 1/4"	6
5	18631	Nut. 1/2" Nylock Nut	4
6	18412	Washer. 1/2" Flat Zinc	4
7	18296	Bolt. 1/2" x 1 1/2" Hex Head Bolt	4



Bill of Materials List

76800

76800 - 90° Elbow, Casting, Fasteners and Safety Tether



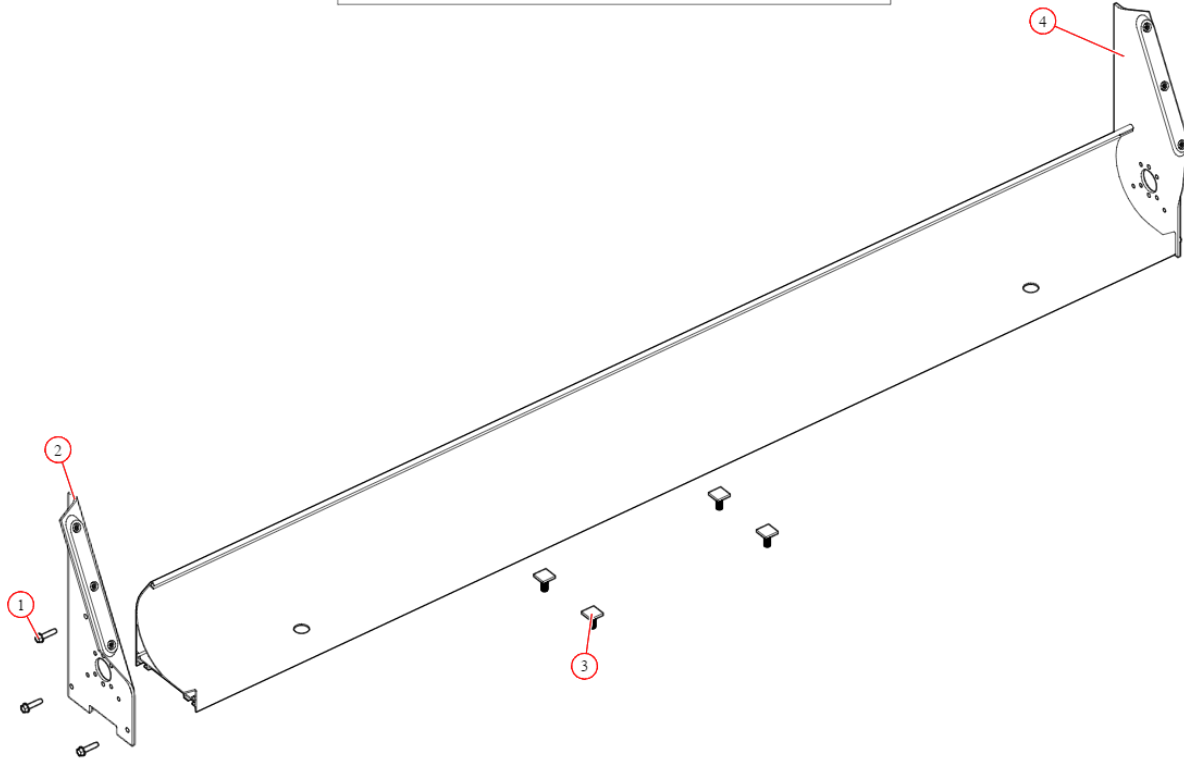
Bom Id	Part #	Description	Qty
1	103533	Tether. Cable with Install Label for 90 degree corner	1
2	18719	Nut. 1/4-20 Cap Conn Nut Clear Zinc - Post bolt for 90 degree corners	2
3	18718	Bolt. 1/4-20 x 1 3/16 Bolt Clear Zinc - Post bolt for 90 degree corners	2



Bill of Materials List

36167

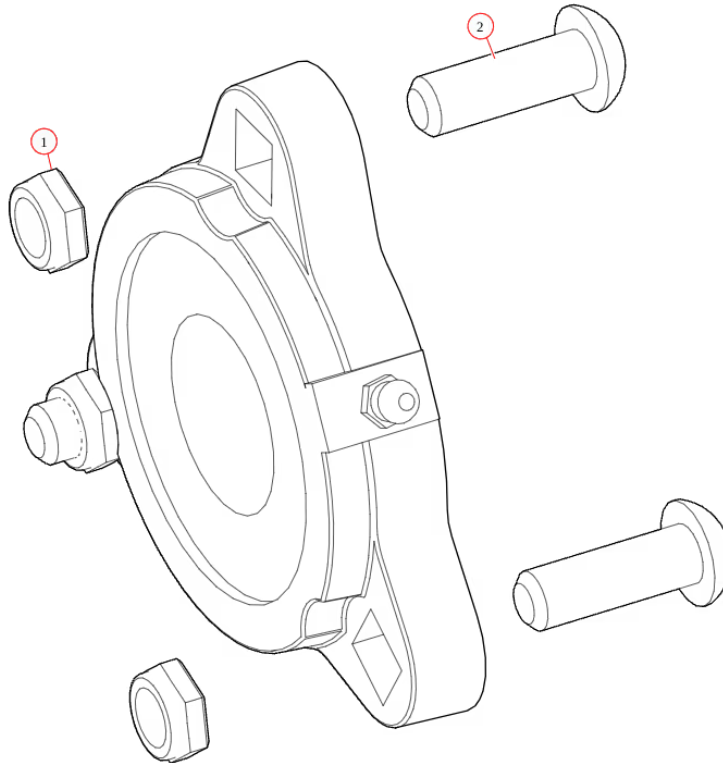
36167 Housing, Spool 98" Aluminum Integrated Housing w/ Extended Endcaps



Bom Id	Part #	Description	Qty
1	18120	Bolt. 3/8" x 1-1/2" Thread Cutting Screw Hex Washer Hd	6
2	36352	Bracket. Tarp Spool High Wing with bumper (Driver Side)	1
3	18245	Bolt. T-Bolt 1/2-13NCx1.75 for GAB	6
4	36353	Bracket. Tarp Spool High Wing with bumper (Pass Side)	1

47800

47800 Bearing, Carrier Underbody Flanged



Bom Id	Part #	Description	Qty
1	18628	Nut. Nylock nut 3/8" Jamb Nut	2
2	18242	Bolt. 3/8"-16 x 1 1/8" Button Head	2