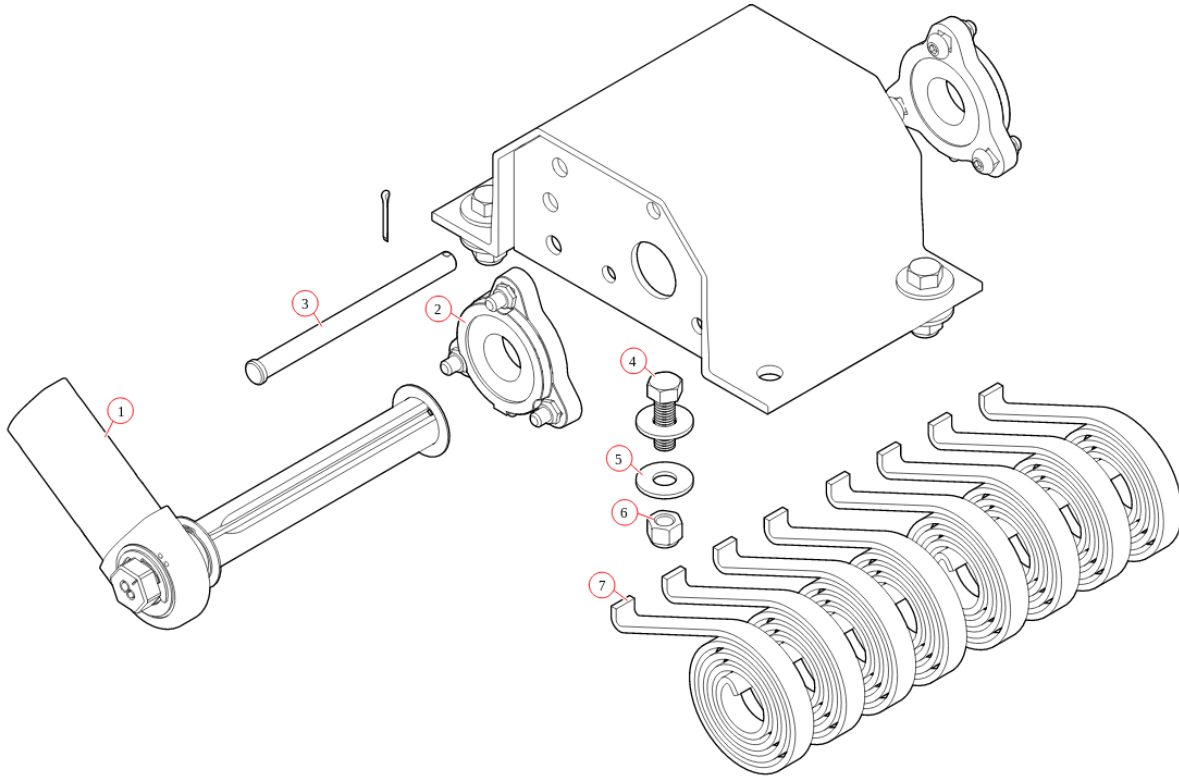


## 47480

47480 Pivot Assembly, 8 Spring Top Mount Pivot w/out Tube - Passenger Side



Bom Id	Part #	Description	Qty
1	47410	Pivot Pin. for 8 Spring Roller Bearing Pivot Passenger Side	1
2	47800	Bearing. Carrier Underbody Flanged	2
3	18550	Pin. 1/2" x 6-1/2" Clevis	1
4	18296	Bolt. 1/2" x 1 1/2" Hex Head Bolt	4
5	18412	Washer. 1/2" Flat Zinc	8
6	18631	Nut. 1/2" Nylock Nut	4
7	47230	Spring. Spiral Torsion Spring 1 1/4"	8