



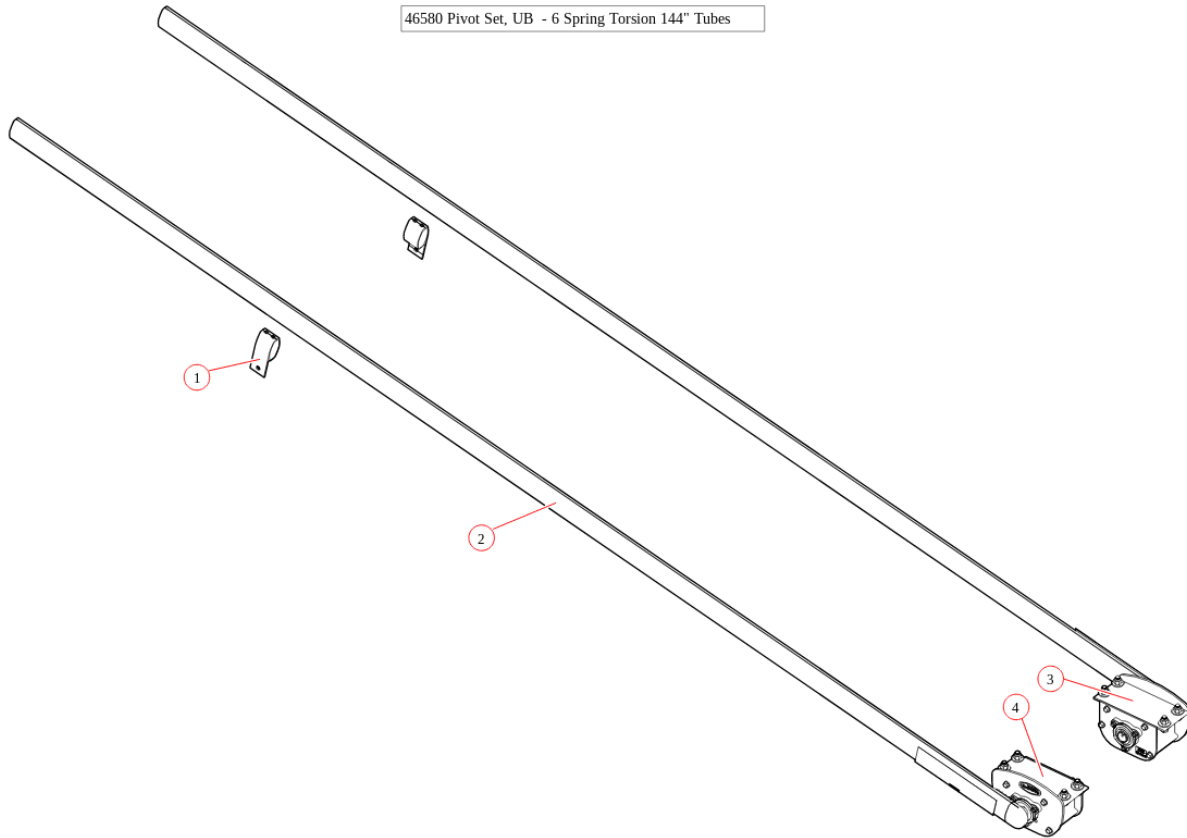
# Bill of Materials List

Pivot Set, 6 Spring Under-Body Mount w/ 144" Pivot Tubes  
(B1-46584 / B2-46585)



Product #: 46580

46580



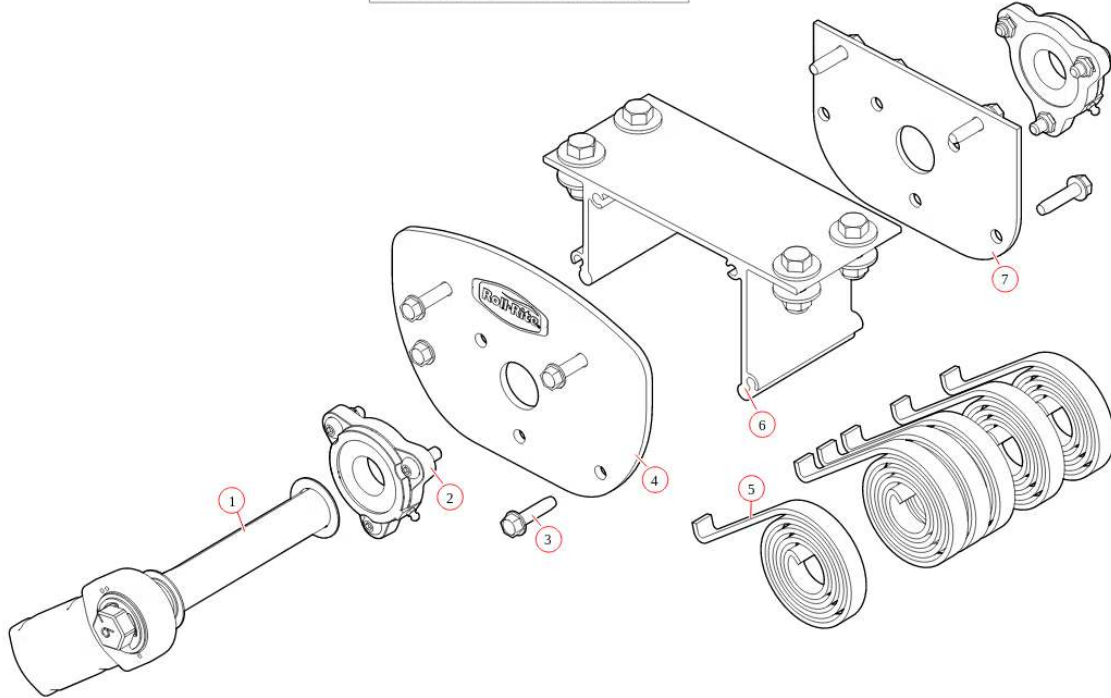
Bom Id	Part #	Description	Qty
1	76831	Bracket. Pivot Arm Tie Down	2
2	46260	Pivot Tube. 144" w/set screws(Each)	2
3	103295	Pivot. UB Assembly 6 Spr Driver	1
4	103296	Pivot. UB Assembly 6 Spr Passenger	1



# Bill of Materials List

103296

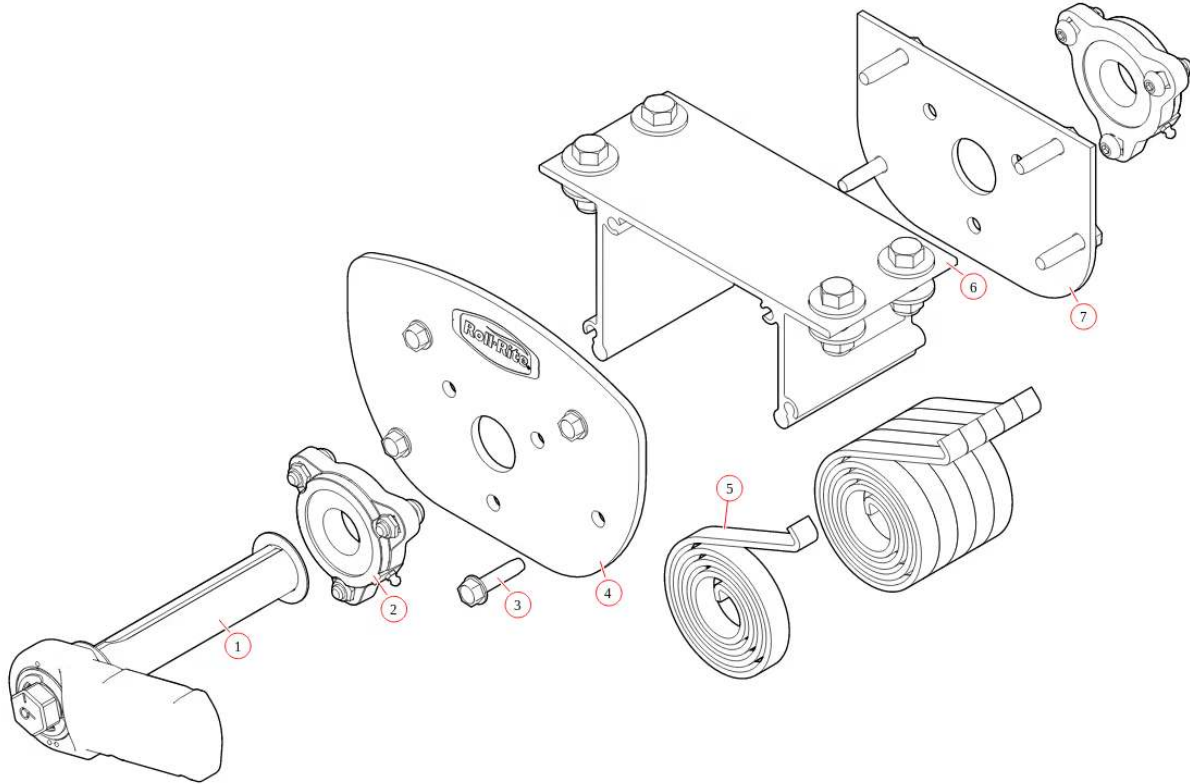
103296 Pivot, UB Assembly 6 Spr Passenger



Bom Id	Part #	Description	Qty
1	46370	Pivot Pin. for 5 & 6-Spring Roller Bearing - Passenger	1
2	47800	Bearing. Carrier Underbody Flanged	2
3	18120	Bolt. 3/8" x 1-1/2" Thread Cutting Screw Hex Washer Hd	8
4	102349	Plate. Al Front for Ext Bolt Flange Mount UB Box	1
5	47230	Spring. Spiral Torsion Spring 1 1/4"	6
6	102509	Bracket. Ext Body with holes for 6 Spr UB Box	1
7	102259	Plate. Al Back for Ext Bolt Flange Mount UB Box	1

## 103295

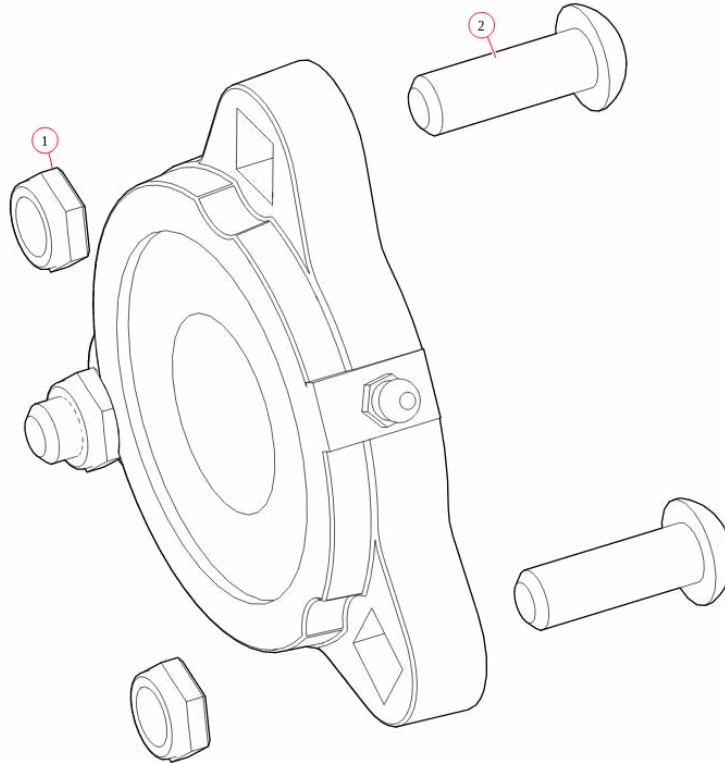
103295 Pivot, UB Assembly 6 Spr Drivers



Bom Id	Part #	Description	Qty
1	46360	Pivot Pin. for 5 & 6 Spring Roller Bearing - Drivers Side	1
2	47800	Bearing. Carrier Underbody Flanged	2
3	18120	Bolt. 3/8" x 1-1/2" Thread Cutting Screw Hex Washer Hd	8
4	102349	Plate. Al Front for Ext Bolt Flange Mount UB Box	1
5	47230	Spring. Spiral Torsion Spring 1 1/4"	6
6	102509	Bracket. Ext Body with holes for 6 Spr UB Box	1
7	102259	Plate. Al Back for Ext Bolt Flange Mount UB Box	1

## 47800

47800 Bearing, Carrier Underbody Flanged



Bom Id	Part #	Description	Qty
1	18628	Nut. Nylock nut 3/8" Jamb Nut	2
2	18242	Bolt. 3/8"-16 x 1 1/8" Button Head	2