



# Bill of Materials List

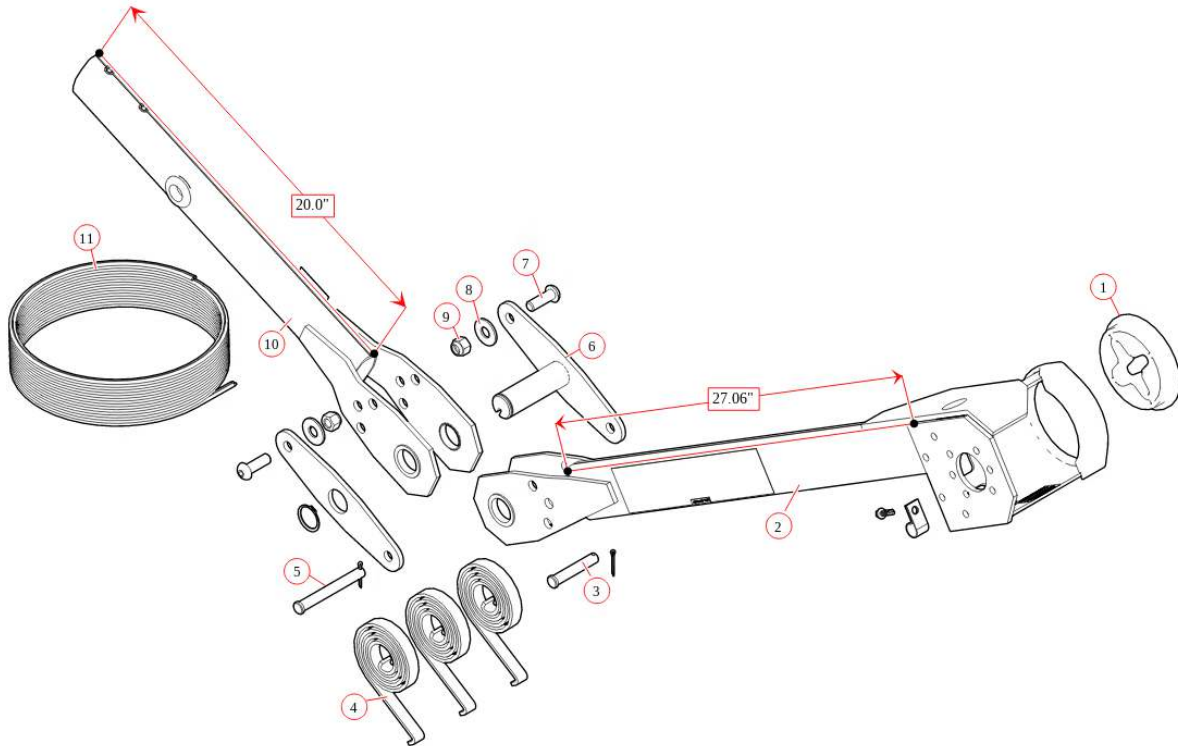
## Pivot Assembly Front arm for 37103 Power Kit



Product #: 101649

101649

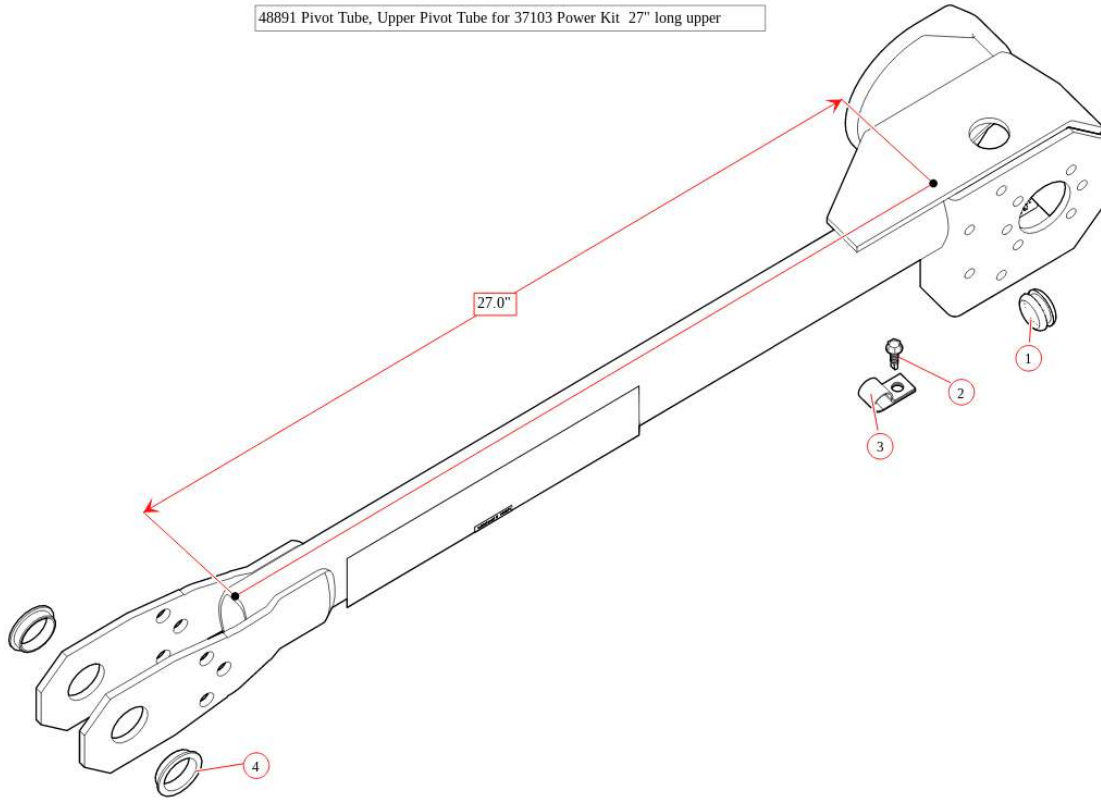
101649 Pivot Assembly Front arm for 37103 Power Kit Left Stow



Bom Id	Part #	Description	Qty
1	37570	Bushing. Axle Stabilizer for Standard Axle	1
2	48891	Pivot Tube. Upper Pivot Tube for 37103 Power Kit 27" long upper	1
3	18510	Pin. 1/2" x 2-3/4" Clevis	1
4	47230	Spring. Spiral Torsion Spring 1 1/4"	3
5	18560	Pin. 1/2 x 4 1/8 Special Clevis	1
6	47960	Bracket. 3 Sp Knuckle pin w/ stop plate for SS pvt. mtr end	1
7	18295	Bolt. 1/2" x 1 1/2" Button Head Bolt	2
8	18412	Washer. 1/2" Flat Zinc	2
9	18631	Nut. 1/2" Nylock Nut	2
10	46982	Pivot Tube. Base for 37103 Power Kit w/20.75" base	1
11	11336	Wire. 6 ga. Dual Conductor - 55ft	1

48891

48891 Pivot Tube, Upper Pivot Tube for 37103 Power Kit 27" long upper



Bom Id	Part # Description	Qty
1	16418 Grommet. Rubber 1" ID x .25 Grove for Side to Side Power Kit (300/bag)	1
2	18110 Bolt. 1/4" x 1" Self Drilling Hex Washer Head	1
4	47040 Bushing. 1 1/4 Poly T- Bushing for Pivot Pin	2