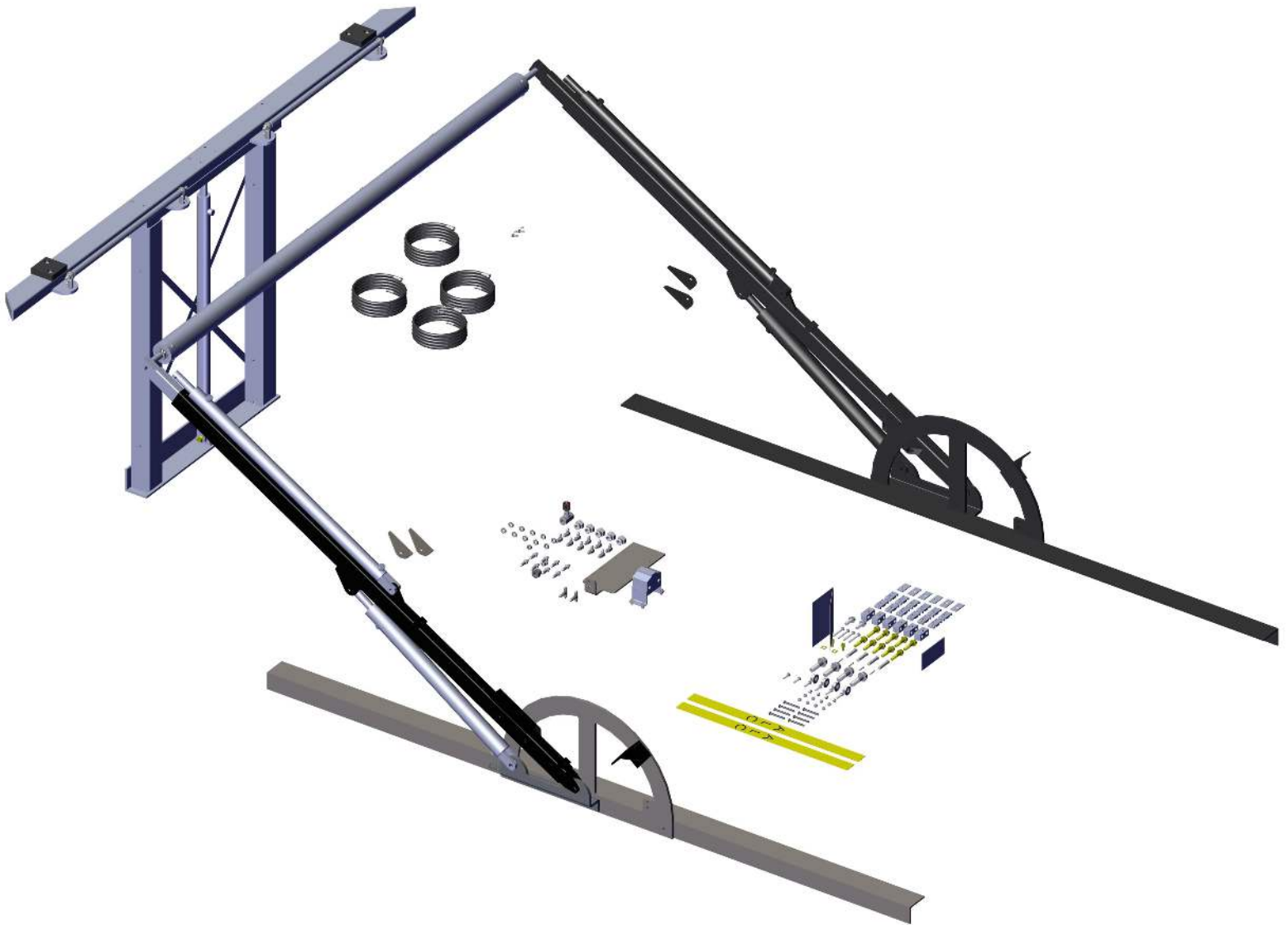




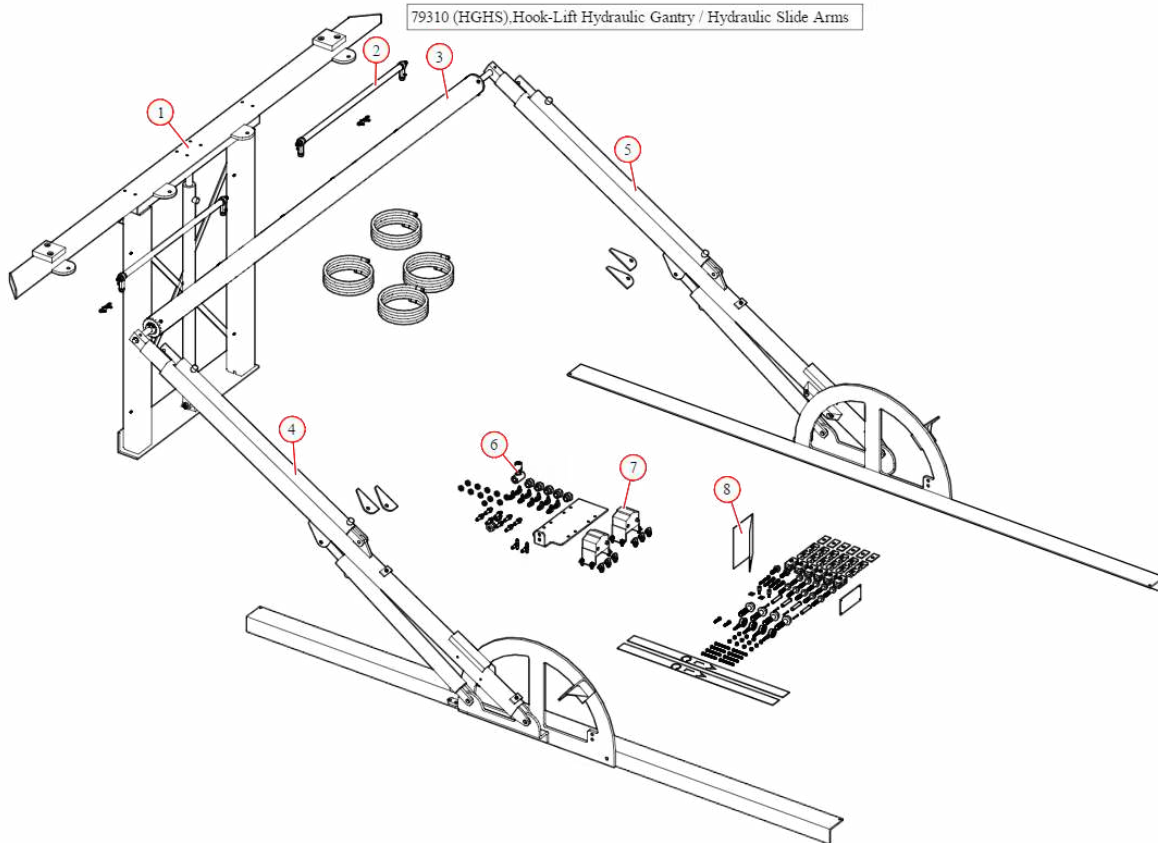
Bill of Materials List

ALC310, Single Axle Hydraulic Gantry & Hydraulic Slide Arms



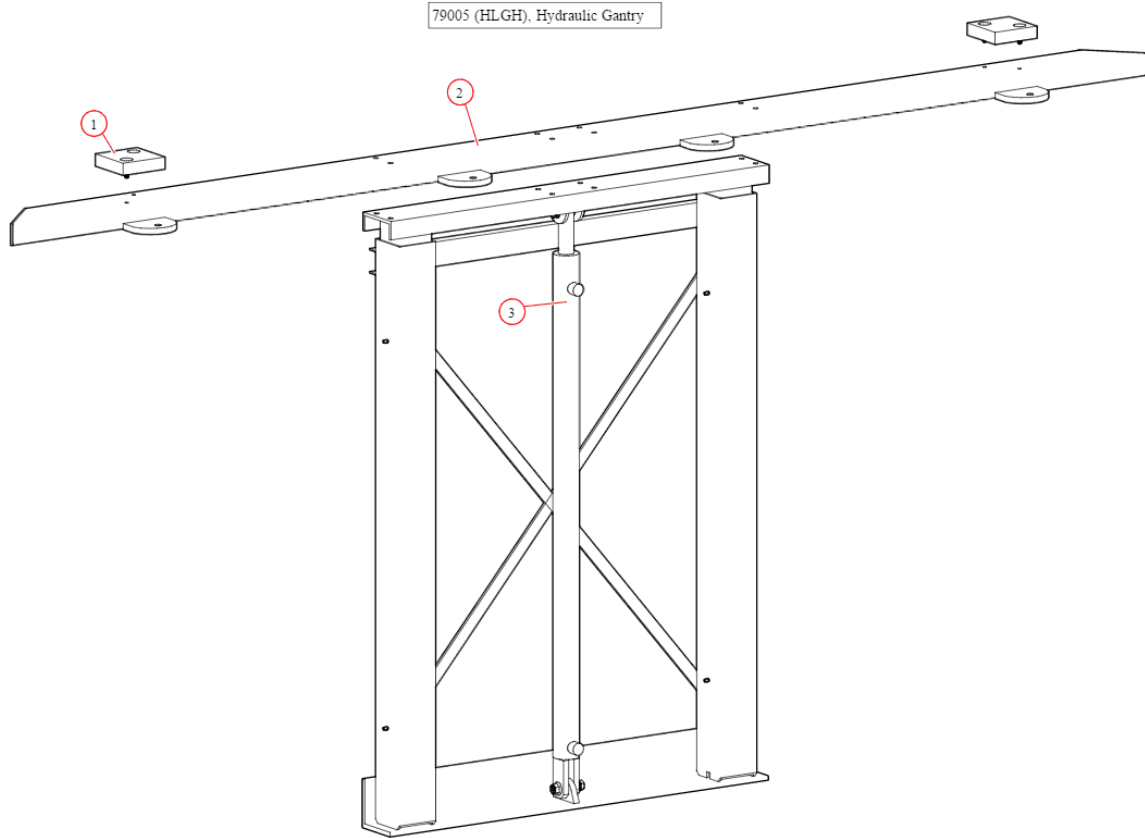
Product #: 79310

79310



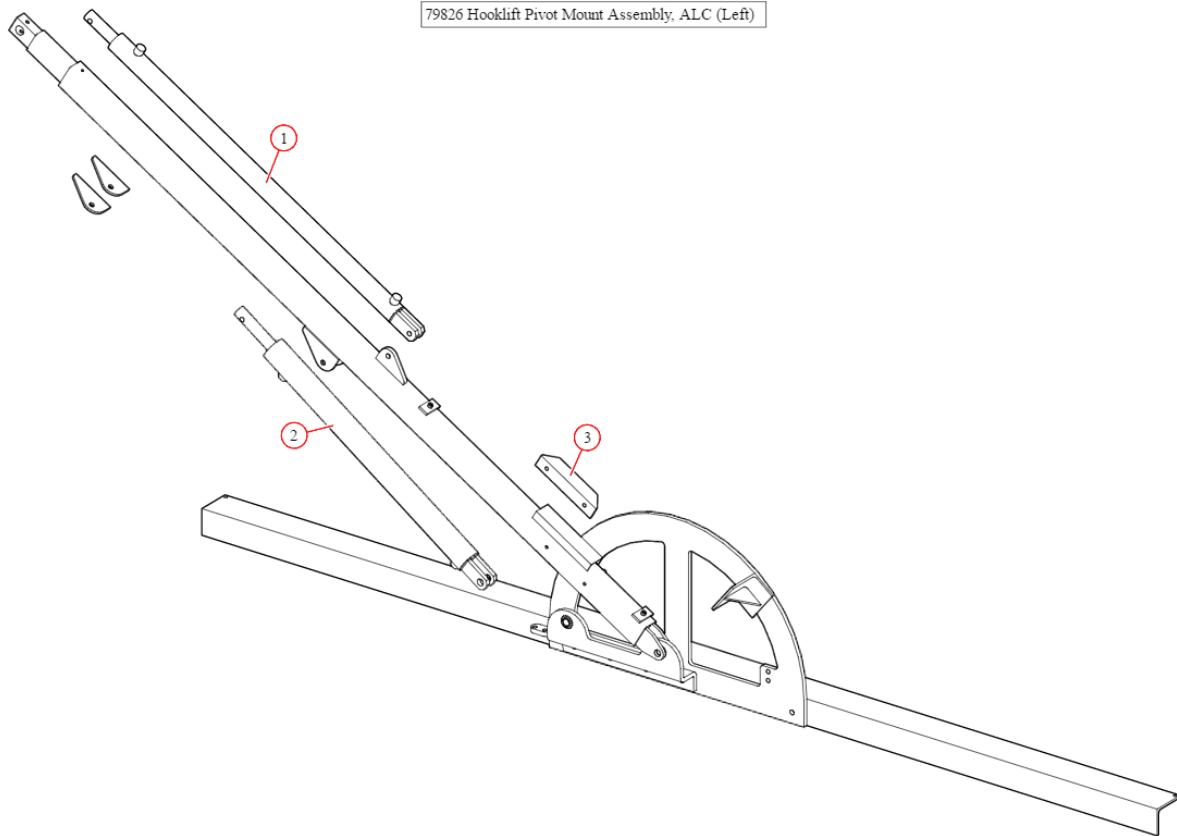
Bom Id	Part #	Description	Qty
1	79005	(HLHG). Hydraulic Gantry	1
2	79503	ROTTA.Torsion Tube Assembly for Hooklift and Roll off	1
4	79826	Hooklift Pivot Mount Assembly. ALC (Left)	1
5	79827	Hooklift Pivot Mount Assembly (Right)	1
7	79818	Flow Divider PM2 with Hardware	2
8	105067	Instructions. ALC DC Roll Off Installation Guide #79300	1

79005



Bom Id	Part #	Description	Qty
1	79512	Rubber Block for Gantry Top w/ Holes	2
3	79778	Cylinder. 1.75" Bore x 36" Stroke for Extend and Gantry (CN-365)	1

79826

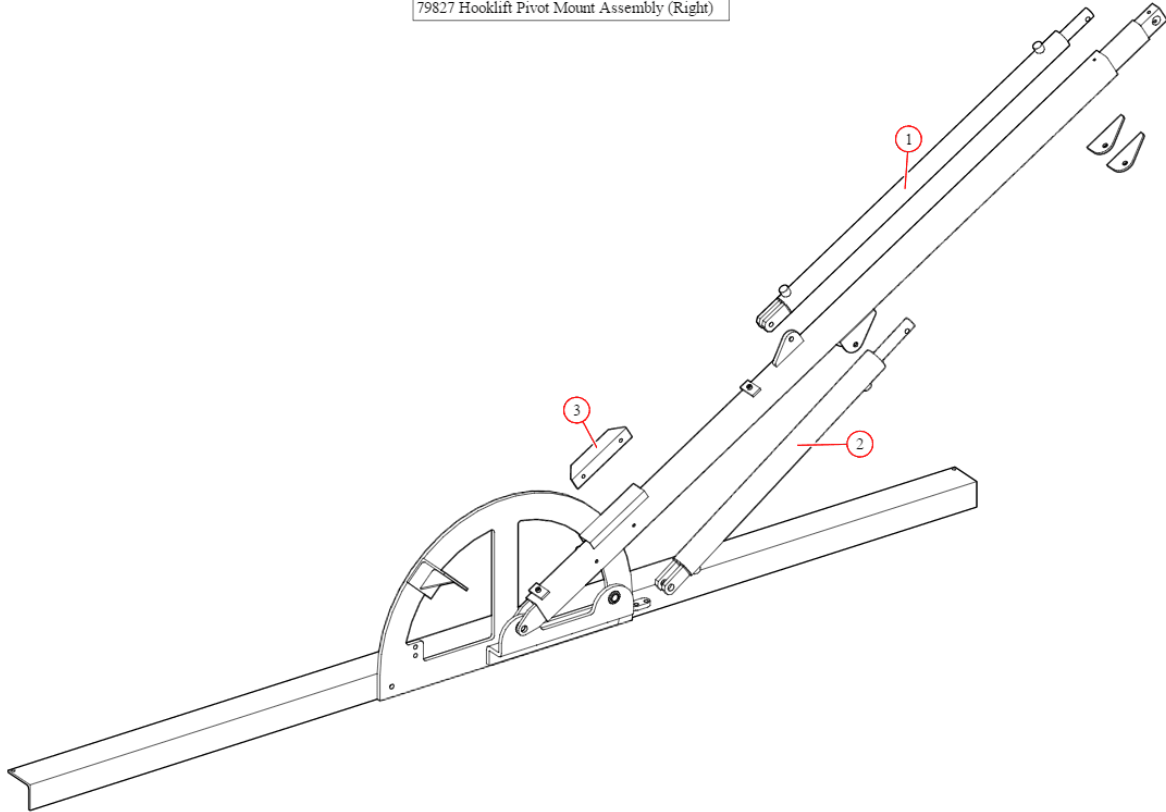


79826 Hooklift Pivot Mount Assembly, ALC (Left)

Bom Id	Part #	Description	Qty
1	79778	Cylinder. 1.75" Bore x 36" Stroke for Extend and Gantry (CN-365)	1
2	79520	Cylinder. 2.25" Bore x 25" Stroke for Pivot Rotation (CN-357)	1

79827

79827 Hooklift Pivot Mount Assembly (Right)



Bom Id	Part #	Description	Qty
1	79778	Cylinder. 1.75" Bore x 36" Stroke for Extend and Gantry (CN-365)	1
2	79520	Cylinder. 2.25" Bore x 25" Stroke for Pivot Rotation (CN-357)	1
3	79500	UHMW. Guide Block (ALCGH)	1