

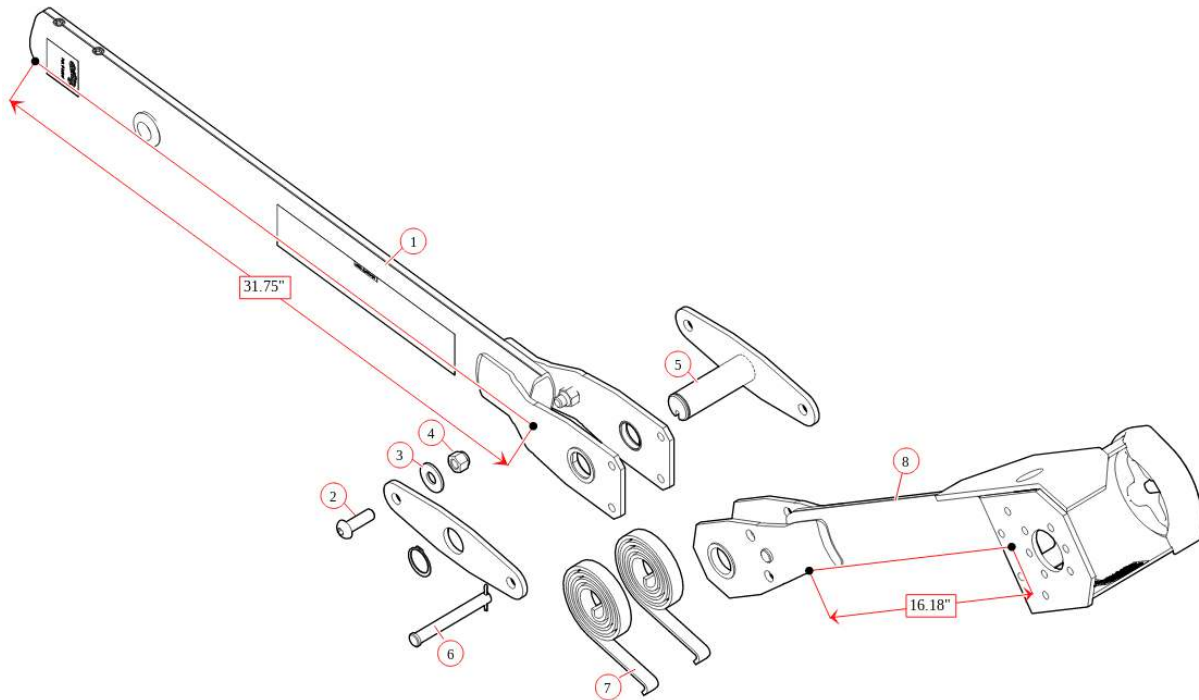
Pivot, Assembled Knuckle Arm for 38100



Product #: 46804

46804

46804 Pivot, Assembled Knuckle Arm for 38100



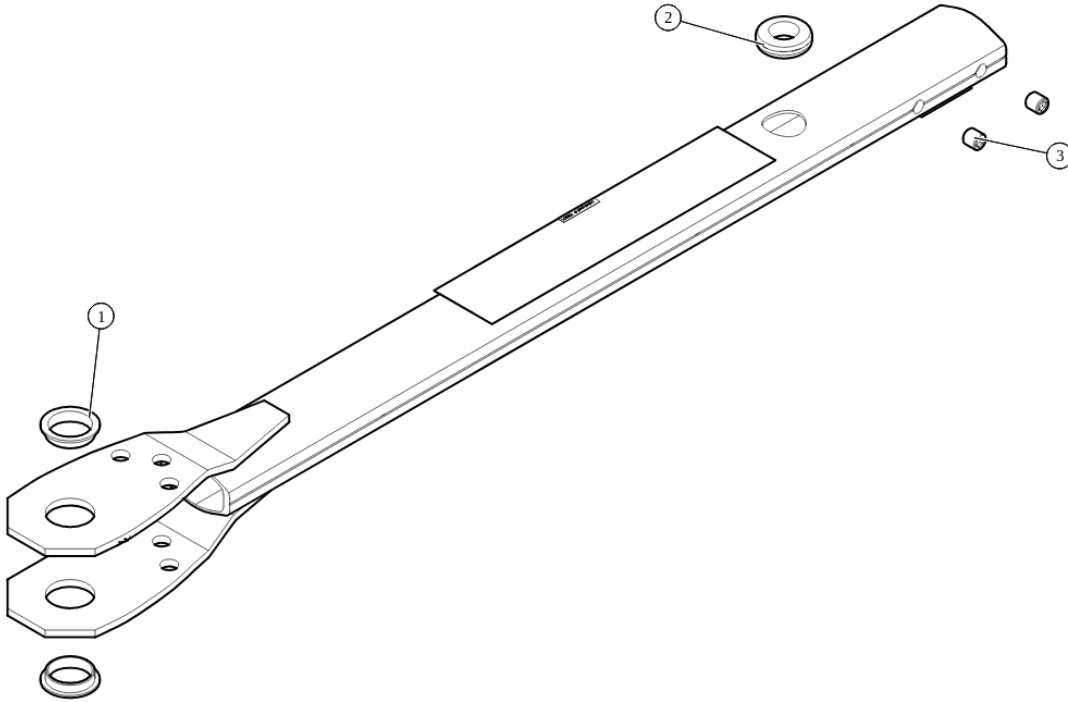
Bom Id	Part #	Description	Qty
1	46980	Pivot Tube. Base w/side plates and set screws SS (31")	1
2	18295	Bolt. 1/2" x 1 1/2" Button Head Bolt	2
3	18412	Washer. 1/2" Flat Zinc	2
4	18631	Nut. 1/2" Nylock Nut	2
5	47960	Bracket. 3 Sp Knuckle pin w/ stop plate for SS pvt. mtr end	1
6	18560	Pin. 1/2 x 4 1/8 Special Clevis	1
7	47230	Spring. Spiral Torsion Spring 1 1/4"	2
8	48890	Pivot Tube. Long upper pvt arm for TT SS(16")	1



Bill of Materials List

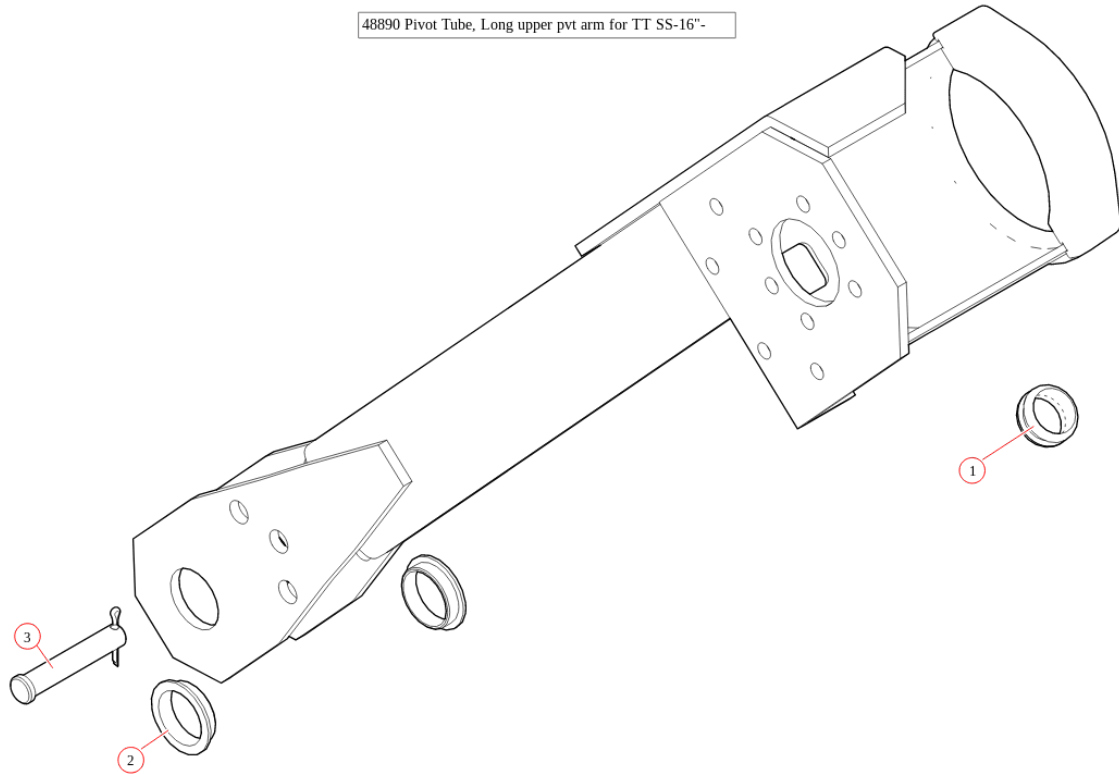
46980

46980 Pivot Tube, Base w/side plates and set screws SS -31"



Bom Id	Part #	Description	Qty
--------	--------	-------------	-----

48890



Bom Id	Part # Description	Qty
1	16418 Grommet. Rubber 1" ID x .25 Grove for Side to Side Power Kit (300/bag)	1
2	47040 Bushing. 1 1/4 Poly T- Bushing for Pivot Pin	2
3	18510 Pin. 1/2" x 2-3/4" Clevis	1