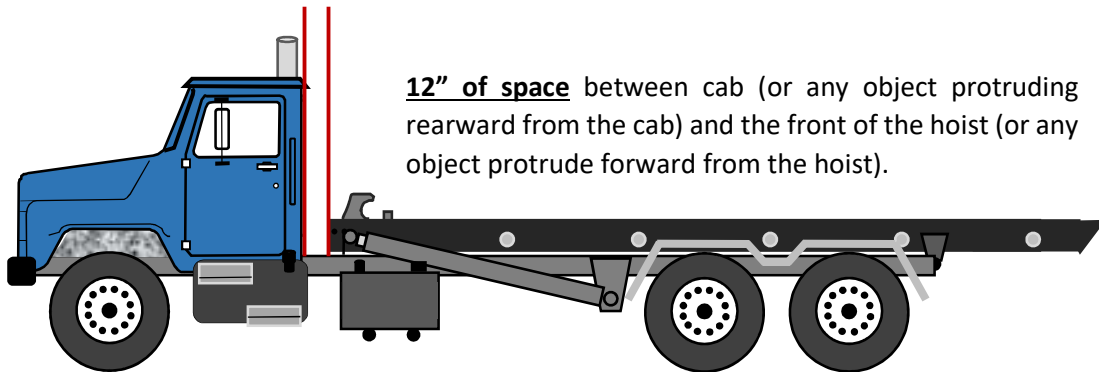


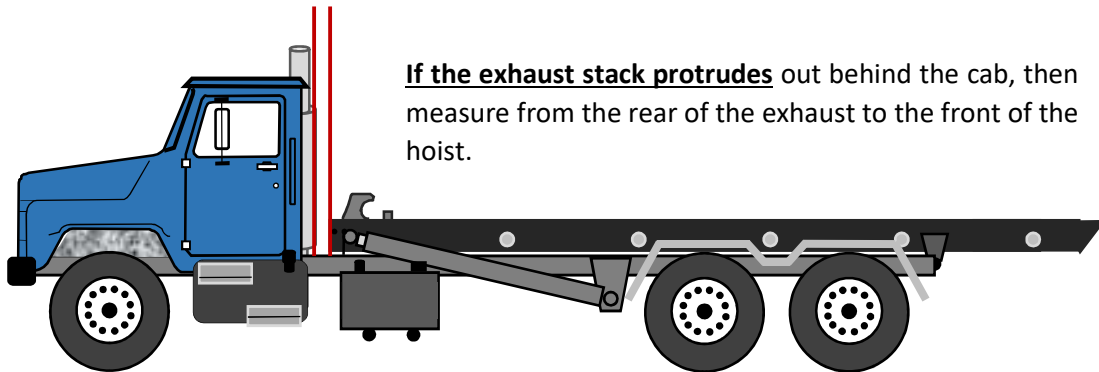


SPACE REQUIREMENT: 12"

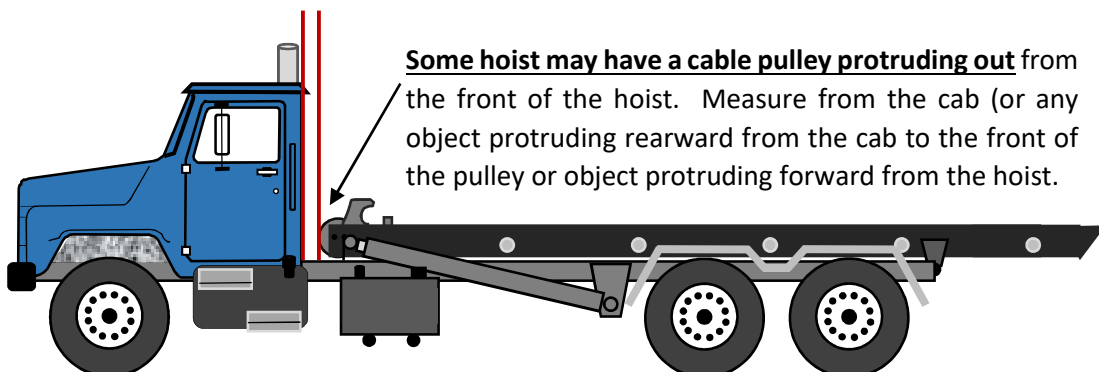
MEASUREMENT: From the Rear of the cab (or any rearward protruding object from the cab) to the front of the hoist (or any forward protruding object attached to the front of the hoist). Clear space is required for the tower to move up and down. Examples are below:



12" of space between cab (or any object protruding rearward from the cab) and the front of the hoist (or any object protrude forward from the hoist).



If the exhaust stack protrudes out behind the cab, then measure from the rear of the exhaust to the front of the hoist.



Some hoist may have a cable pulley protruding out from the front of the hoist. Measure from the cab (or any object protruding rearward from the cab) to the front of the pulley or object protruding forward from the hoist.