

DC204 Tarp

Single Axle Pickup Truck Style Chassis

Roll Offs



The Auto-Tarper that Covers Your Versatile Single Axle Roll Off Pickup Chassis

The DC204 Tarp System is specifically engineered for pickup style single axle cable or hooklift truck chassis. The Roll-Rite® "Low-Cab" adjustable tower design accommodates the lower cab height associated with pickup style trucks, as well as, the ability to extend up to cover 60" tall containers easily.

Features include: independent "on-board" power unit with two(2) function wireless remote operation, external mount stationary pivot set, rugged, yet lightweight, aluminum tarp arms, Roll-Rite 45 degree "Low-Arm" elbow kit, tower mounted work lights & powder coat finish and Roll-Rite® TarpMaster® gear motor with three(3) year non-prorated warranty.

Optional equipment available includes: mounting bracket kits and Roll-Rite PremiumHD tarps up to 24' in length.

- **Wireless Remote Control:** Tower and Tarp Can be operated from any 360° walkaround position with push button keyfob



- Also shown with 5-year Super Duty motor upgrade



- Integrated Housing with 3-yr TarpMaster electric gear motor



- Tower with Long-Lasting Powder Coat Finish



- External Spiral Torsion Spring Pivot (shown w/ 45170 mounting bracket sold separately)



- Pre-wired Black Box™ Wireless Control with Electric-over-Hydraulic Power Pack



- Dual 4-Inch Halogen Work Lights



- PremiumHD Mesh available: 7.7 oz. woven fabric made of two, 1,000 denier polyester twisted strands coated with UV resistant PVC

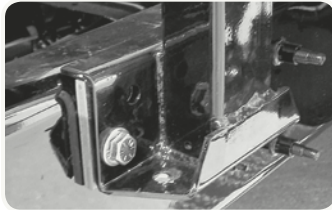


Roll-Rite® DC204 System

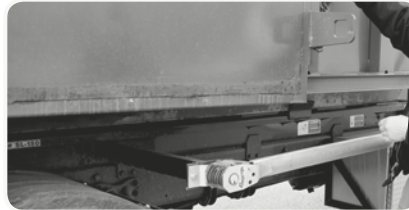
...for Single Axle Pickup-style Chassis Roll Offs

Adjustable Tower for Similar Sized Containers (Options & Tarps Below)

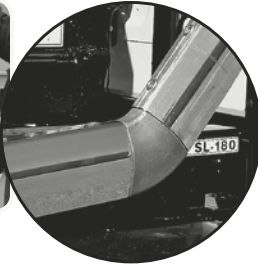
Part #	Description
69204	Tarp System, DC204 w/5 Spring External Pivot & Adjustable Tower - 12V Motor S/N: TM <i>Standard equipment includes: ADJUSTABLE Single Stage "LowTower" with 4" HALOGEN Work Lights & Powder Coat BLACK Finish, Side Truck Frame Style Tower Mounting Brackets, ROLL-RITE Independent "On-Board" Power Unit with Two(2) Function Wireless Remote Keyfob Operation, ROLL-RITE Five(5) Spring External Mount STATIONARY Pivot Set, ROLL-RITE 45 Degree LowARM Elbow Kit, High Polished Extruded Aluminum TarpMASTER Housing, Tarp Arms and Tarp Pivots.</i>



• Standard Tower Brackets

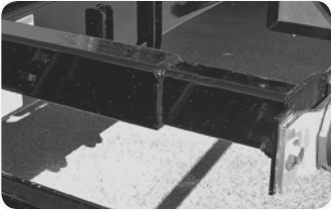


• 45° Pivot Elbow Kit: "Low-profile" arm is standard and allows clearance of tailgate operations while dumping loads.



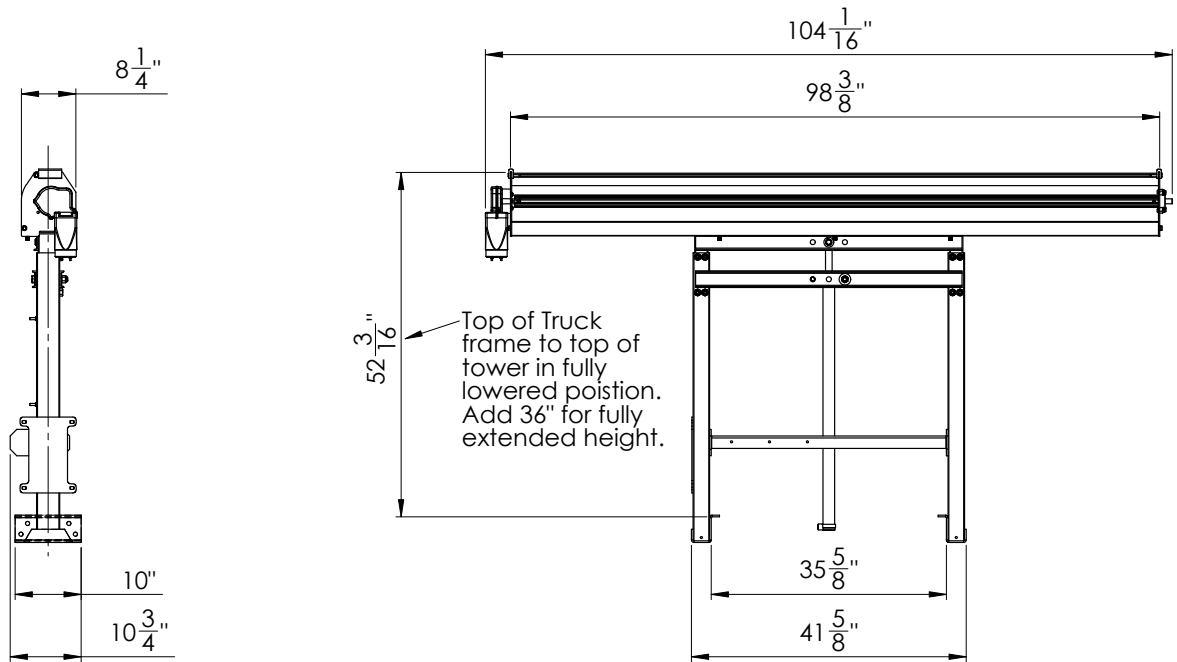
Optional for DC204:

45170	Bracket, Mounting Brackets for Stationary External Mount Pivots -Set
-------	--



• #45170 Outboard Pivot Brackets

DC203 Pickup Tower Mounting Specifications



www.RollRite.com

©2005 Roll-Rite, LLC • (800) 297-9905 • Tel: (989) 345-3434 • Fax: (989) 345-7805

All specifications, equipment and pricing subject to change without notice. Roll-Rite, LLC reserves the right to improve models without incorporating changes into similar models produced at an earlier date.



/DC203forFseriesPickup/mod.10242013