

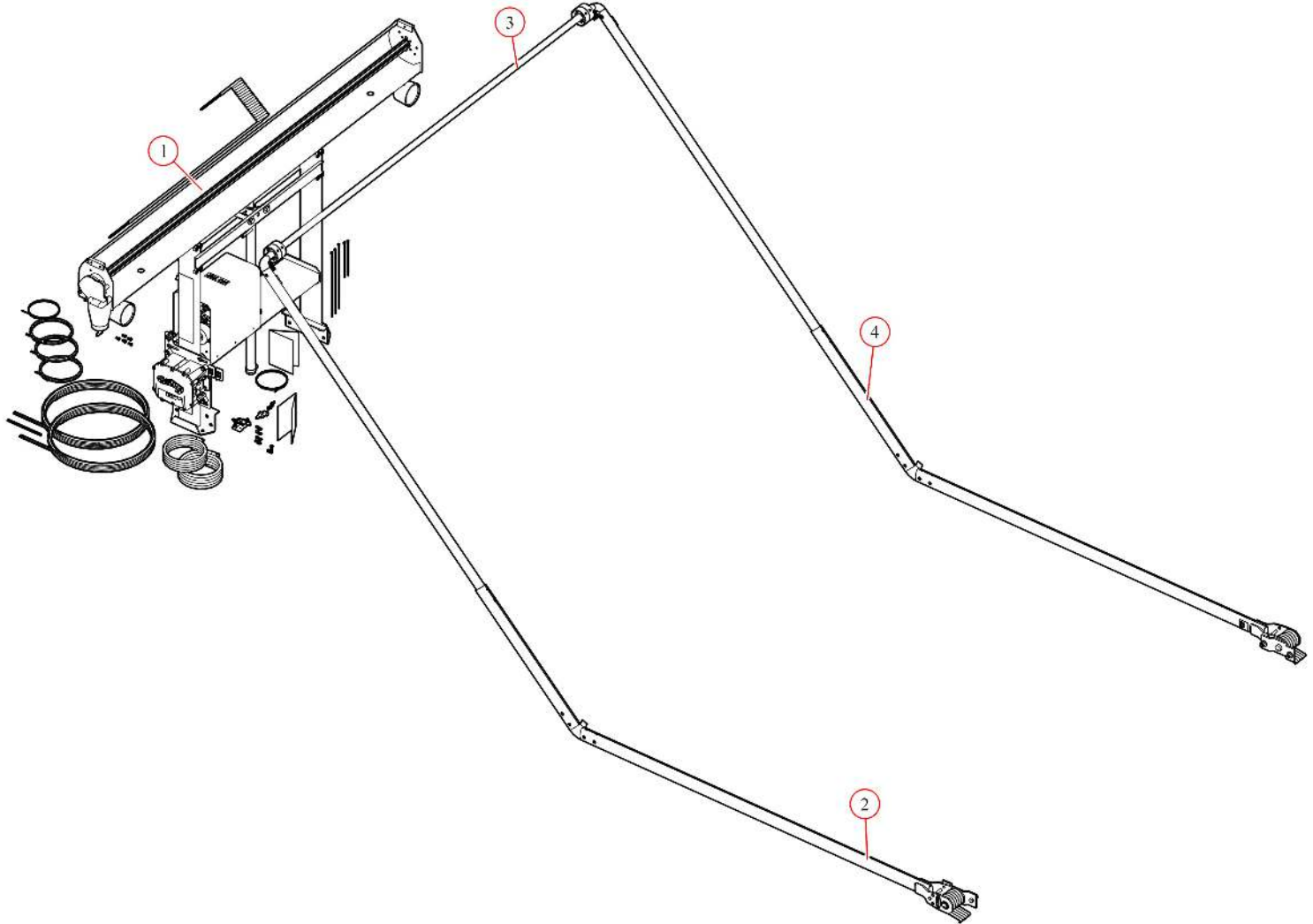


DC204. TM Single Stage Narrow Tower. 5 Spring 84" Ext Pivot.

45° elbows. Wide Bow Set

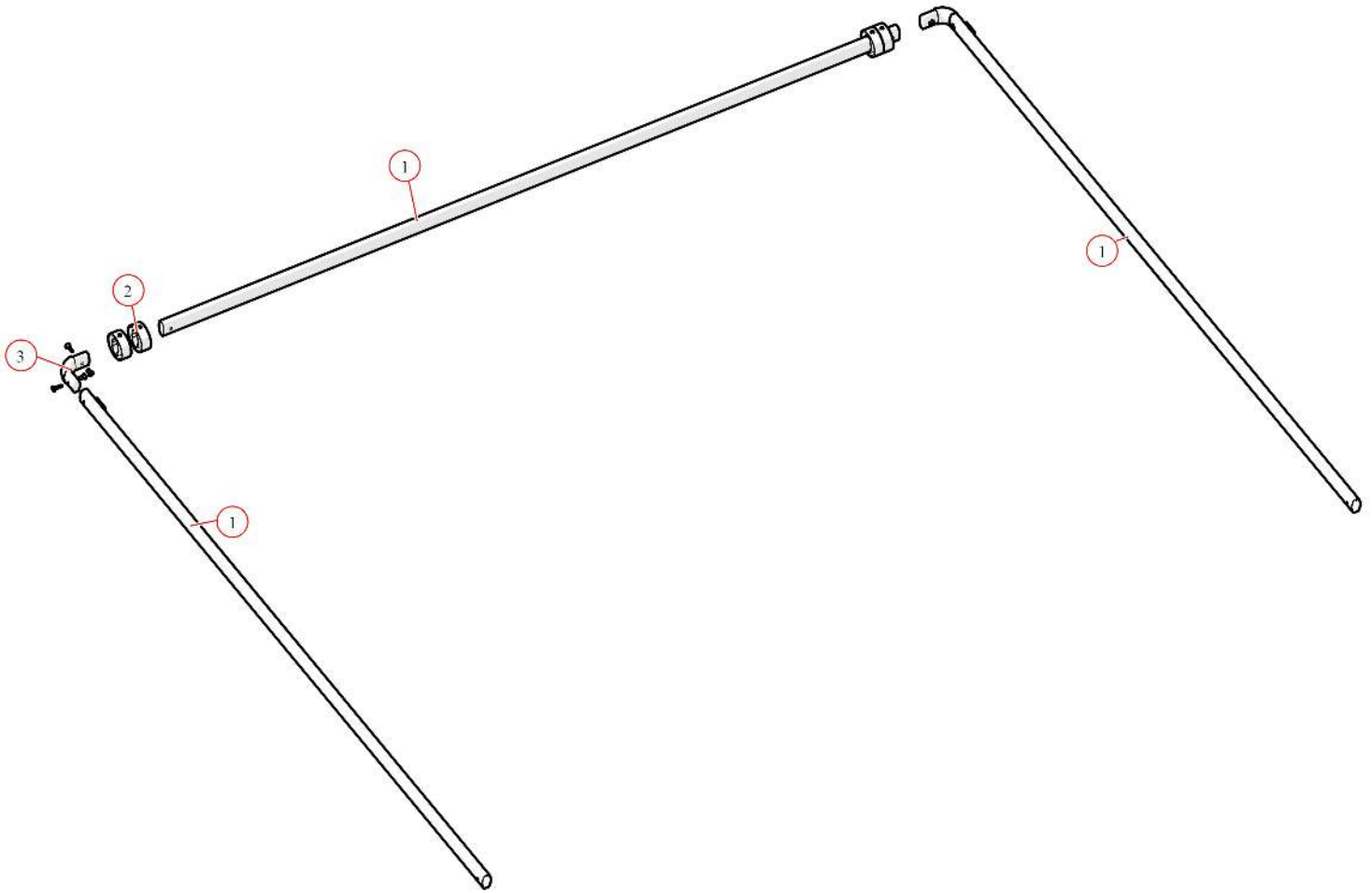
Part Number: 69204

69204 Tarp System, DC204 w/5 Spring External Pivot & Narrow Frame Adjustable Tower



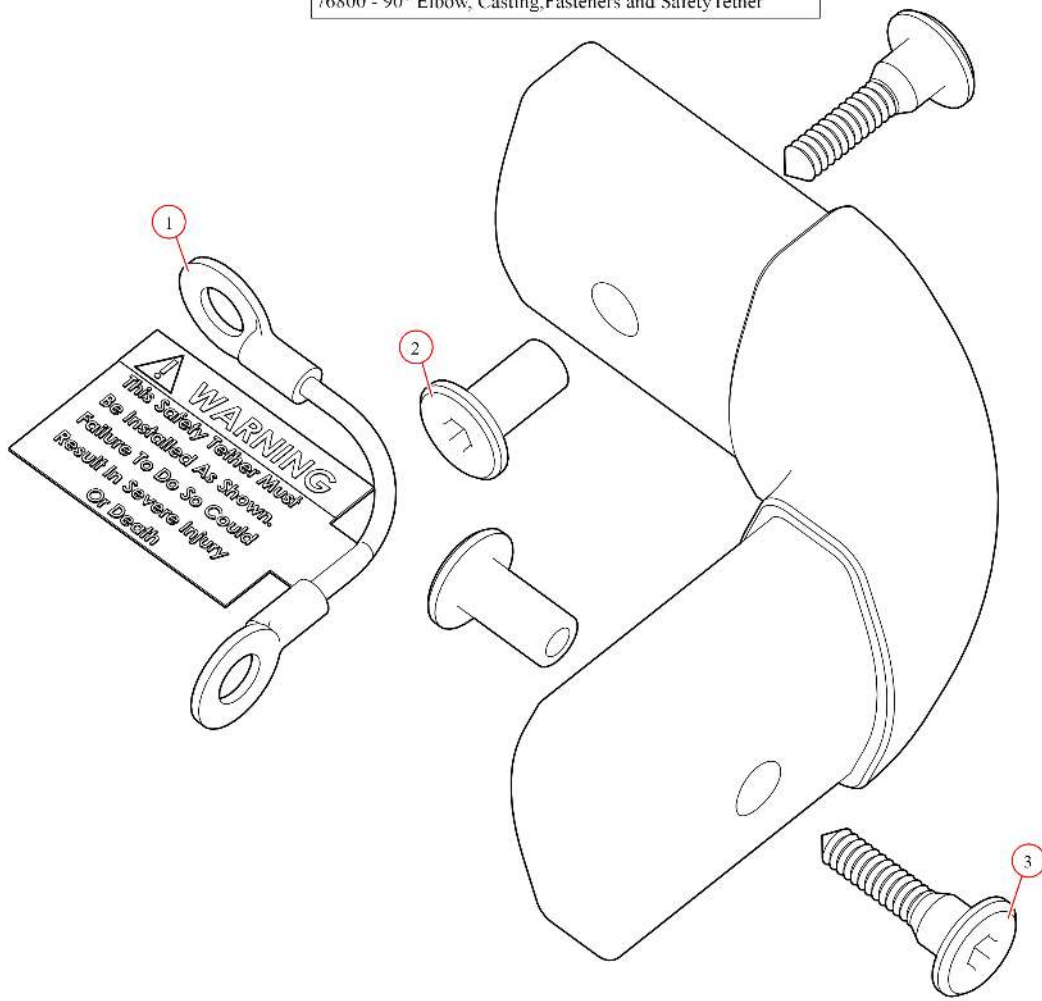
| Bom ID | Part# | Description | qty |
|--------|--------|---|-----|
| 1 | 102875 | Tower. TarpMaster Adjustable Narrow Frame w/ Pump & Control Bo... | 1 |
| 2 | 103314 | Pivot Set. External Mount 5 spr Drilled for 45 offset | 1 |
| 3 | 76720 | Bow Set. 103 1/2" Wide Top Tube and 103 1/2" Side Arms | 1 |
| 4 | 76916 | Pivot. 45 Low Arm Elbow Kit 32" Extension | 1 |

76720 Bow Set, 103 1/2" Wide Top Tube w/ 98" Bow Arms



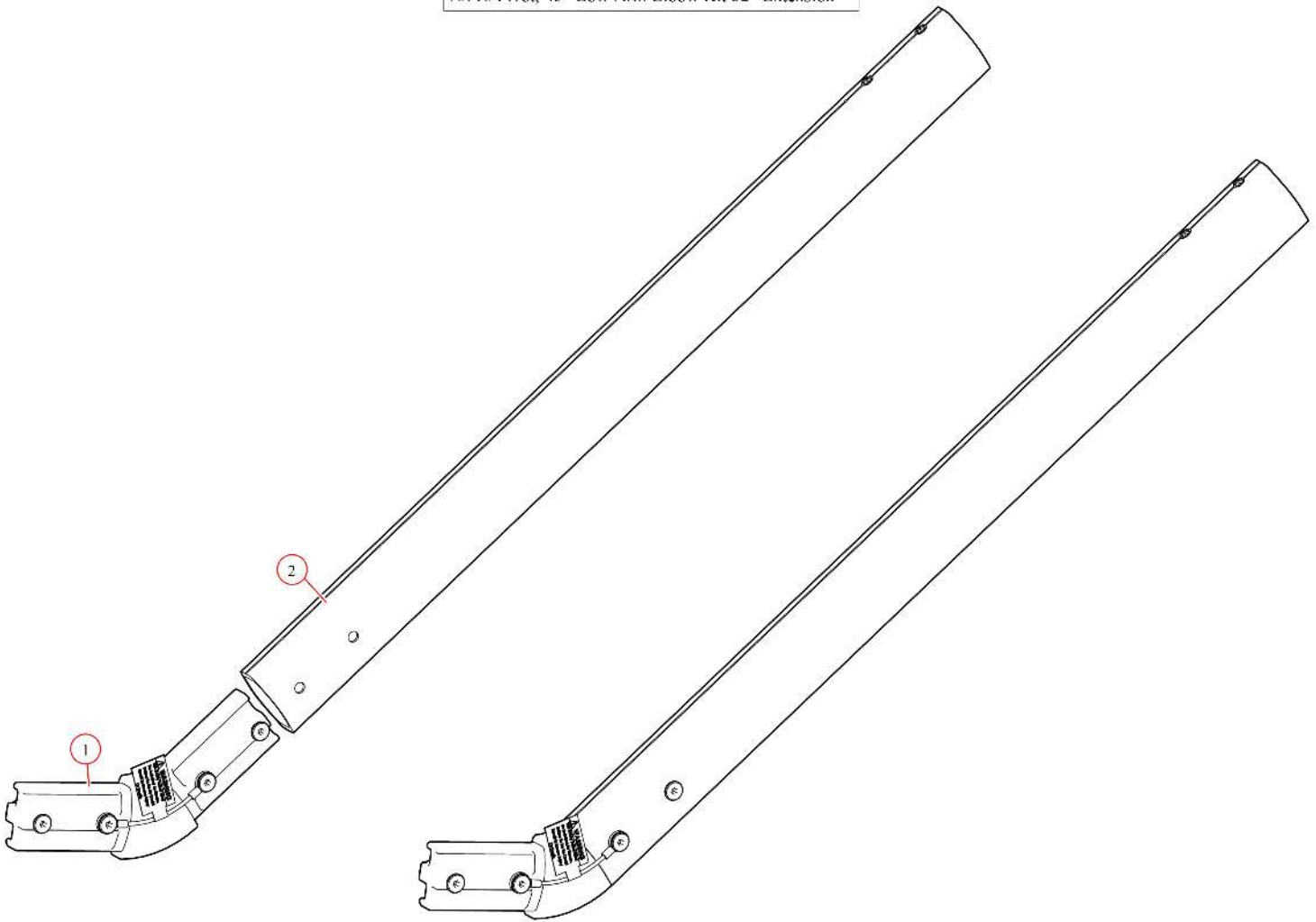
| Bom ID | Part# | Description | qty |
|--------|-------|--|-----|
| 1 | 76870 | Bow Tube. 103 1/2" AL Wide Top Tube for Tarp Bow | 3 |
| 2 | 76810 | Tarp Flange for Bow Tube (Pair) | 2 |
| 3 | 76800 | Casting. Aluminum Corner - 90 Degree With Fasteners and Tether | 2 |

76800 - 90° Elbow, Casting, Fasteners and Safety Tether



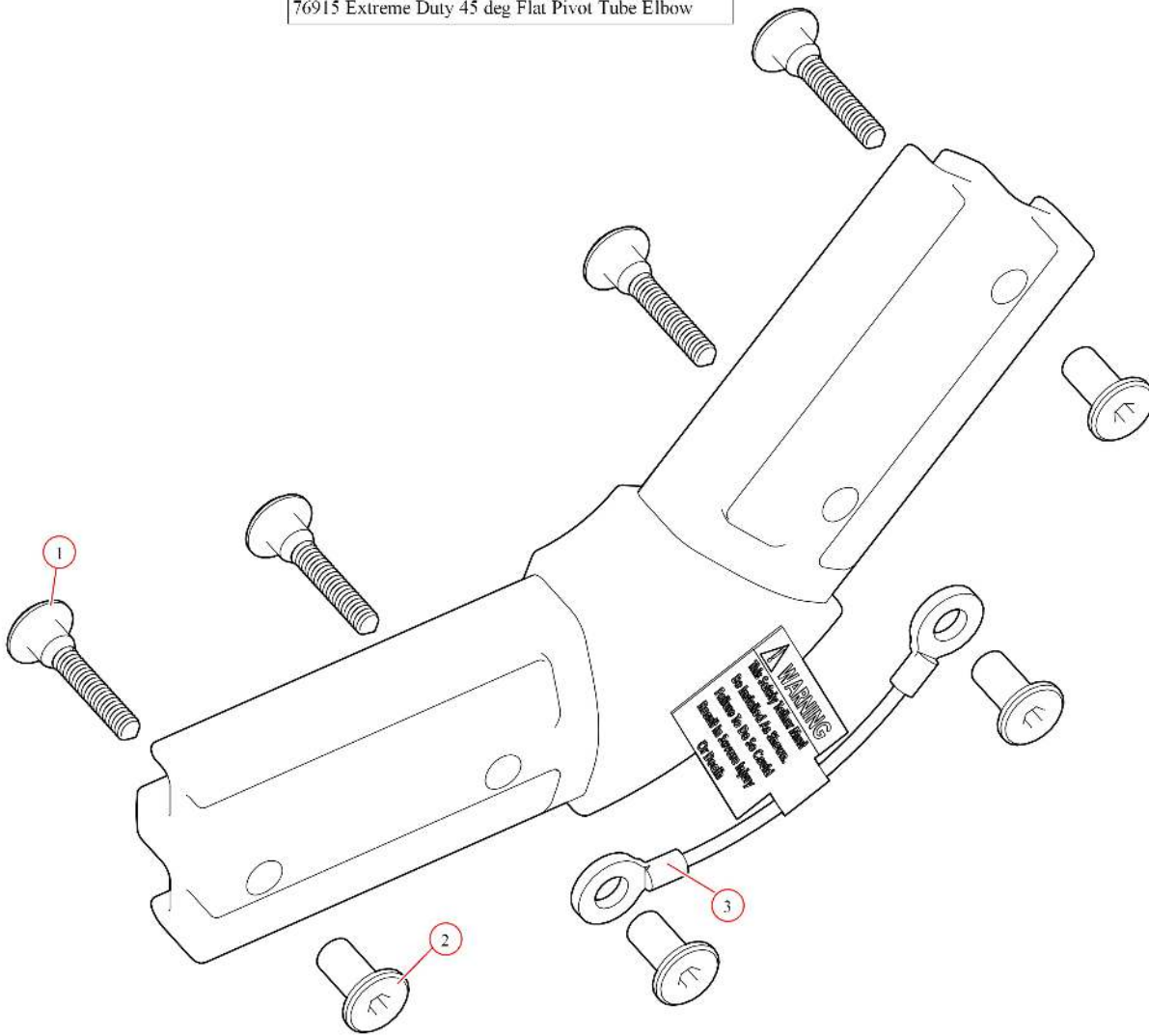
| Bom ID | Part# | Description | qty |
|--------|--------|---|-----|
| 1 | 103533 | Tether. Cable with Install Label for 90 degree corner | 1 |
| 2 | 18719 | Nut. 1/4-20 Cap Conn Nut Clear Zinc - Post bolt for 90 degree corne... | 2 |
| 3 | 18718 | Bolt. 1/4-20 x 1 3/16 Bolt Clear Zinc - Post bolt for 90 degree corners | 2 |

76916 Pivot, 45° Low Arm Elbow Kit 32" Extension



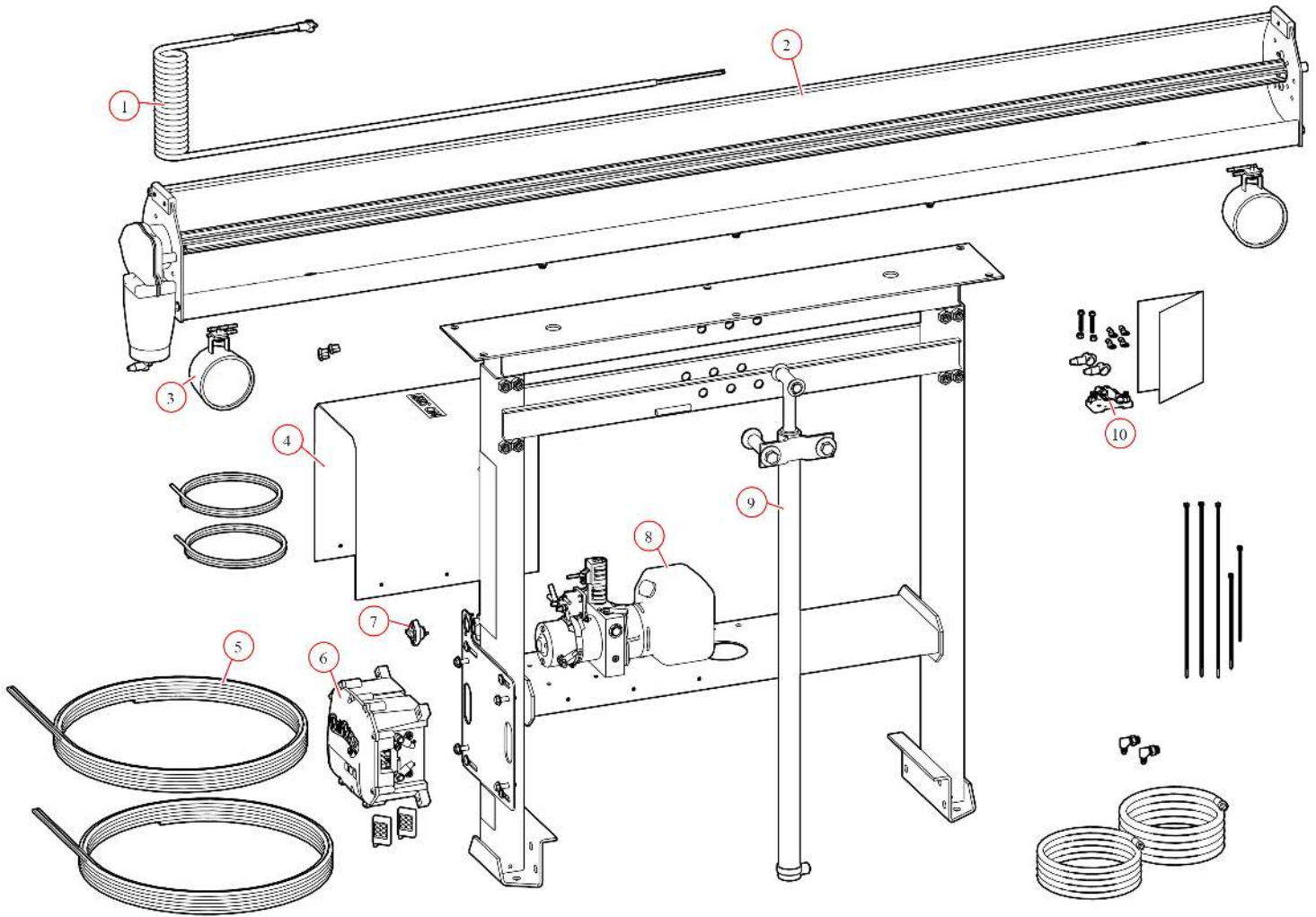
| Bom ID | Part# | Description | qty |
|--------|-------|---|-----|
| 1 | 76915 | Casting. Extreme Duty 45 Elbow for Pivot Tube | 2 |
| 2 | 76917 | Pivot. Pivot Tube Extension. 32.5" | 2 |

76915 Extreme Duty 45 deg Flat Pivot Tube Elbow



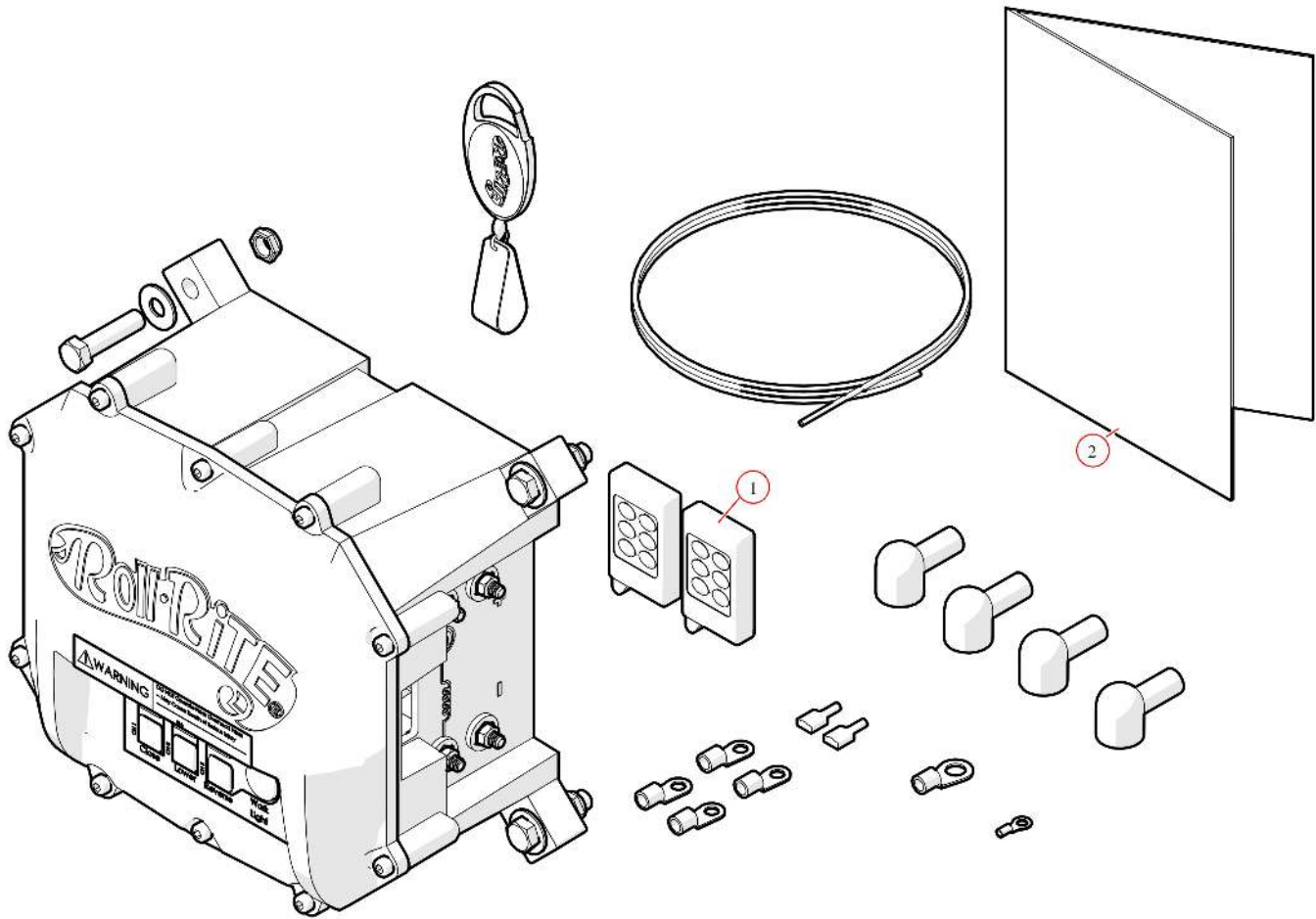
| Bom ID | Part# | Description | qty |
|--------|--------|---|-----|
| 1 | 103306 | Bolt. 1/4-20 x 1 9/16 Bolt Clear Zinc - Post bolt for 45 degree extrem... | 4 |
| 2 | 18719 | Nut. 1/4-20 Cap Conn Nut Clear Zinc - Post bolt for 90 degree corne... | 4 |
| 3 | 104205 | Tether. Extreme Duty Elbows | 1 |

102875 Tower, TarpMaster Adjustable Narrow Frame w/ Pump & Control Box



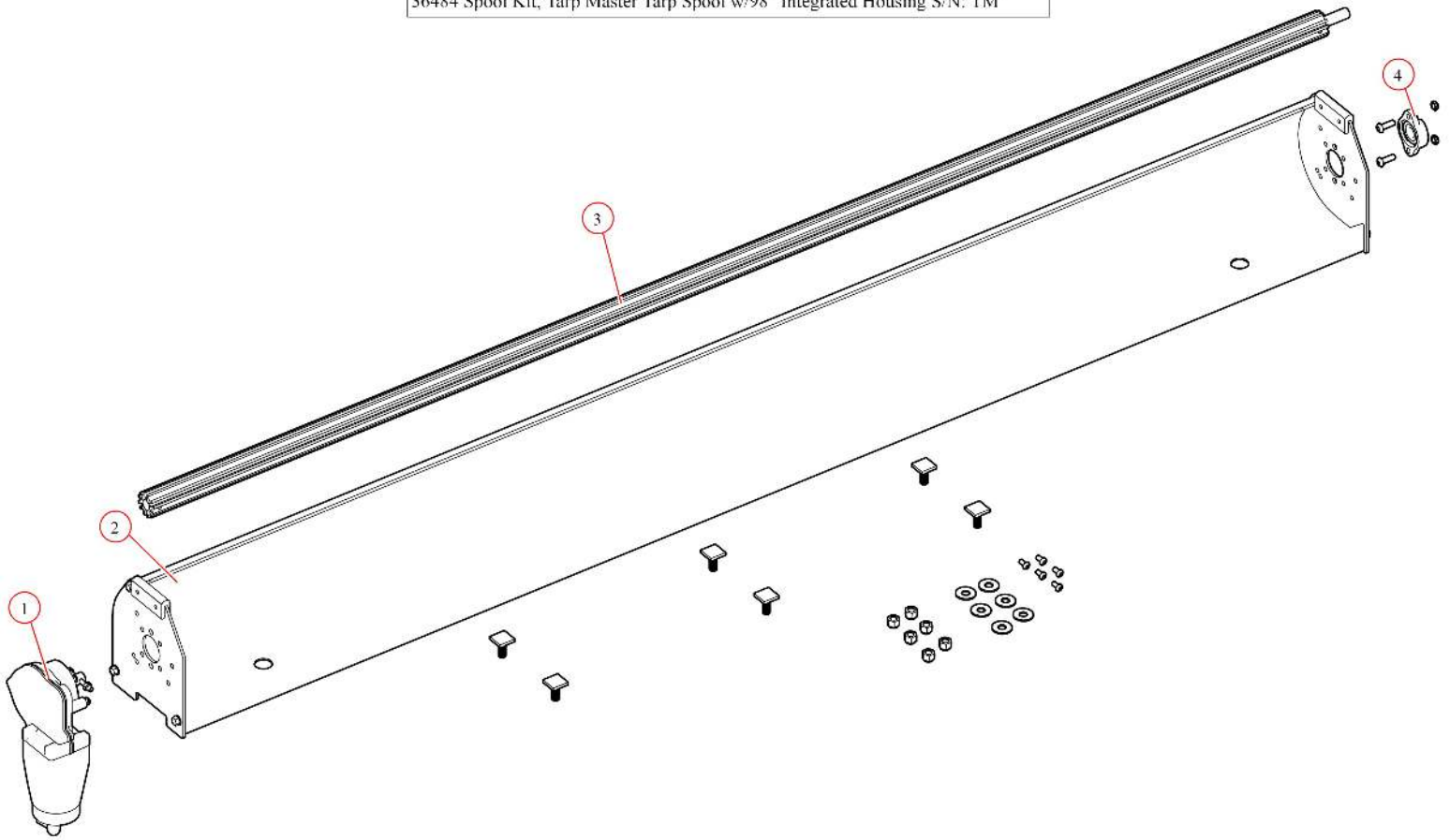
| Bom ID | Part# | Description | qty |
|--------|--------|--|-----|
| 1 | 11328 | Wire. 2 Stage Tower Coil 110" - Assembled | 1 |
| 2 | 36484 | Spool Kit. TarpMaster Tarp Spool w/98" Integrated 98" Housing for T... | 1 |
| 3 | 104103 | Light. Work Light LED 12V | 2 |
| 4 | 39610 | Benlee. Pump Cover. Black Housing for Hydraulic Pump on Towers-... | 1 |
| 5 | 11330 | Wire. 6 Ga. Dual Conductor - (per ft) | 1 |
| 6 | 19865 | Control Box. Wireless Black Control Box - 12/24V Waste | 1 |
| 7 | 17918 | Breaker. 35A Outdoor Manual Reset Circuit Breaker | 1 |
| 8 | 39612 | Hydraulic Power Unit. 12V. 1 Valve | 1 |
| 9 | 39520 | Cylinder. 1.5" Bore x 36" Stroke DA. Single Flange Mount | 1 |
| 10 | 17913 | Breaker. 100 amp Manual Reset Breaker Kit for 24V & 12V Integrate... | 1 |

19865 Control Box, wireless Black Control Box for Waste, 12 V



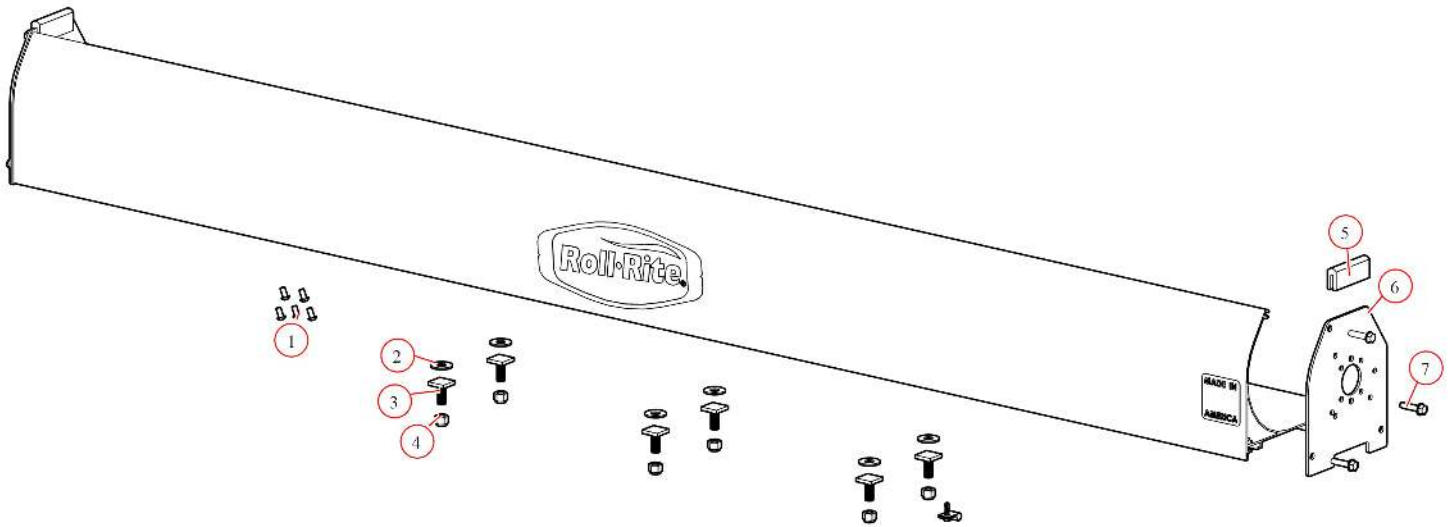
| Bom ID | Part# | Description | qty |
|--------|--------|--|-----|
| 1 | 19801 | RF Transmitter/FOB. 433MHz. Gen1 Motor Relay | 2 |
| 2 | 101786 | Instructions. Push button Control Box | 1 |

36484 Spool Kit, Tarp Master Tarp Spool w/98" Integrated Housing S/N: TM



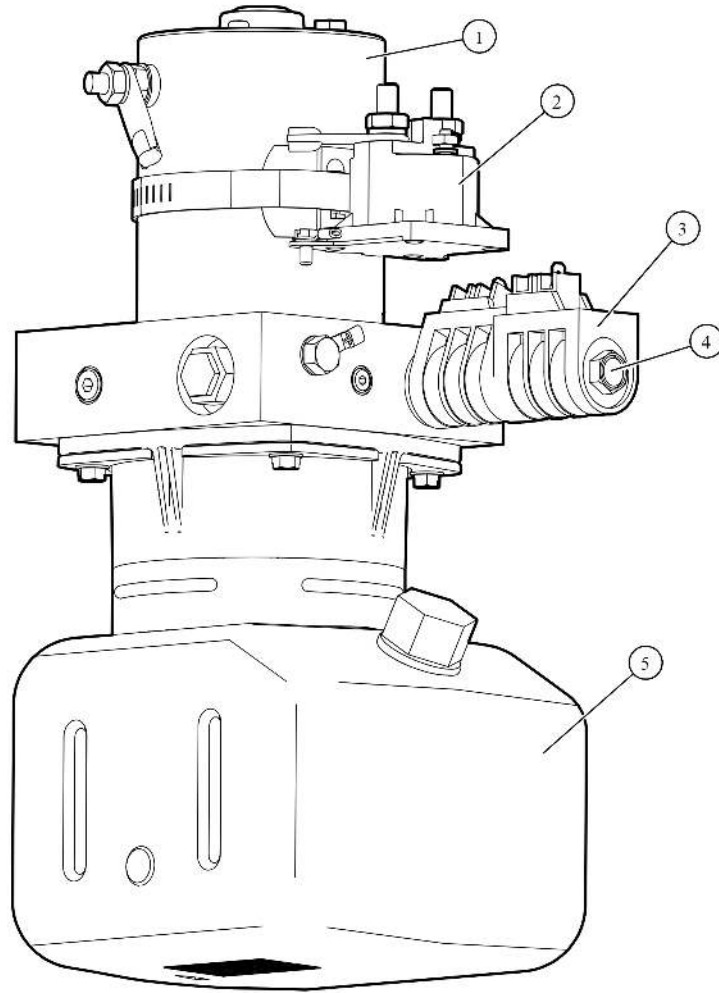
| Bom ID | Part# | Description | qty |
|--------|-------|--|-----|
| 1 | 10310 | TarpMaster Motor 12V. 5 Year Warranty :S/N: | 1 |
| 2 | 36164 | Housing. Spool 98" Aluminum Integrated Housing | 1 |
| 3 | 31030 | Axle. 97" Pre-Threaded Tarp Axle w/Stub Shaft | 1 |
| 4 | 31050 | Bearing. 3/4" Flanged Axle Bearing with bolts | 1 |

36164 Housing, Spool 98" Aluminum Integrated Housing



| Bom ID | Part# | Description | qty |
|--------|-------|--|-----|
| 1 | 18260 | Bolt. 5/16" x 5/8" Button Head Bolt - Zinc Plated | 5 |
| 2 | 18412 | Washer. 1/2" Flat Zinc | 6 |
| 3 | 18245 | Bolt. T-Bolt 1/2-13NCx1.75 for GAB | 6 |
| 4 | 18631 | Nut. 1/2" Nylock Nut | 6 |
| 5 | 36300 | Bumper. Rubber Bumper for Tarp Spool (each) | 2 |
| 6 | 36331 | Bracket. Int Housing Aluminum Endcaps - Drivers Side | 2 |
| 7 | 18120 | Bolt. 3/8" x 1-1/2" Thread Cutting Screw Hex Washer Hd | 6 |

39612 Pump Assembly, 12V Hydraulic Pump w/Manifold & 1 Valve & Compact Tank



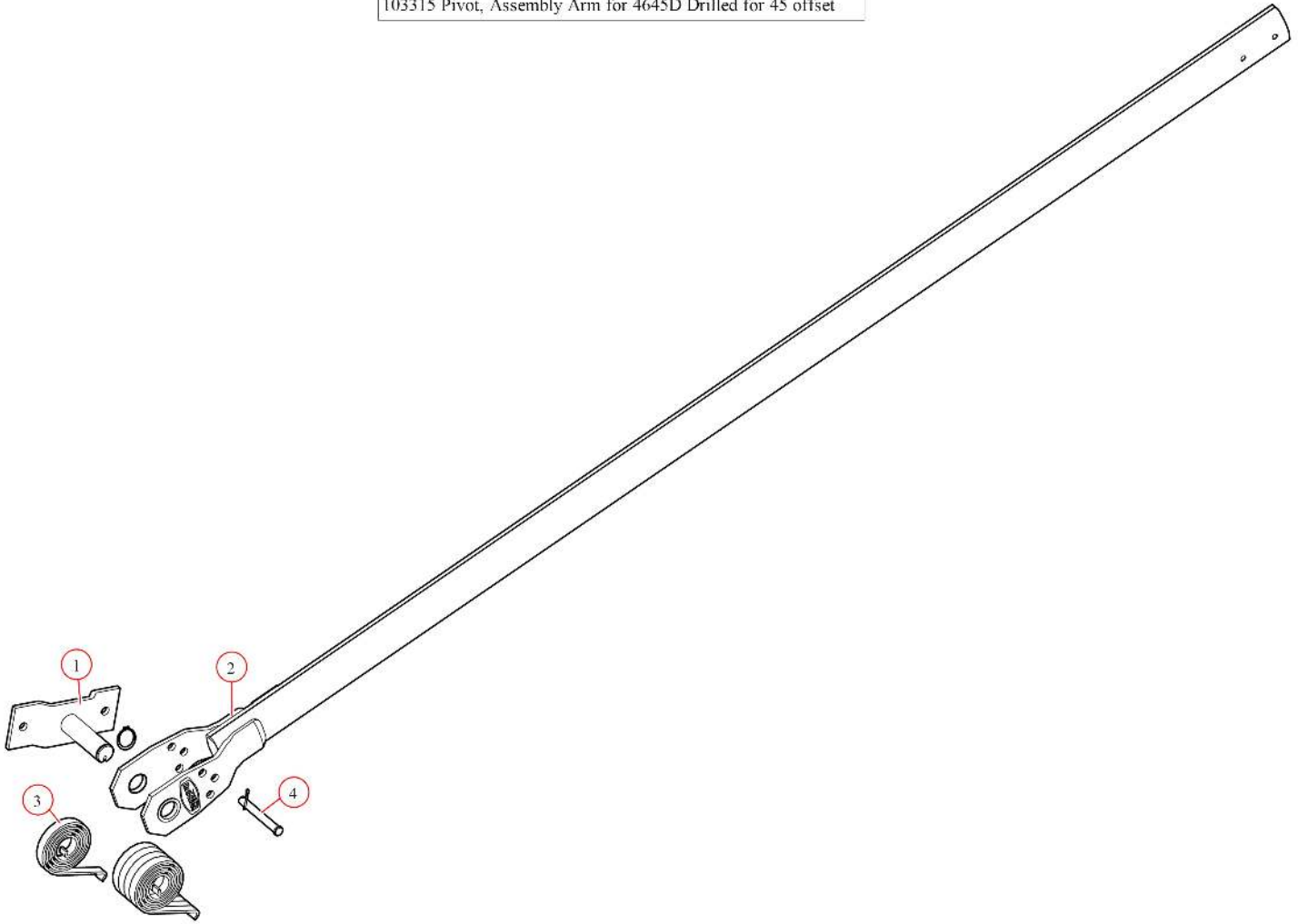
| Bom ID | Part# | Description | qty |
|--------|--------|--|-----|
| 1 | 102832 | Motor. Replacement Motor for Hydraulic Pump 12 V (39612 & 39712... | 1 |
| 2 | 102079 | Solenoid. 12VDC Start Switch for Power Unit (39612 & 39712) MTE... | 1 |
| 3 | 102078 | Coil. 12VDC for Power Unit (39612 & 39712) MTE39002301 | 2 |
| 4 | 102080 | Valve. 3P4W Tandem Center Directional Power Unit (39612)MTE38... | 1 |
| 5 | 102073 | Cap Kit (Cap and Rubber Grommet) | 1 |
| 6 | 102074 | Tank Kit. 1 Gallon MTE | 1 |

103314 Pivot Set, External Mount 5 spr Drilled for 45 offset



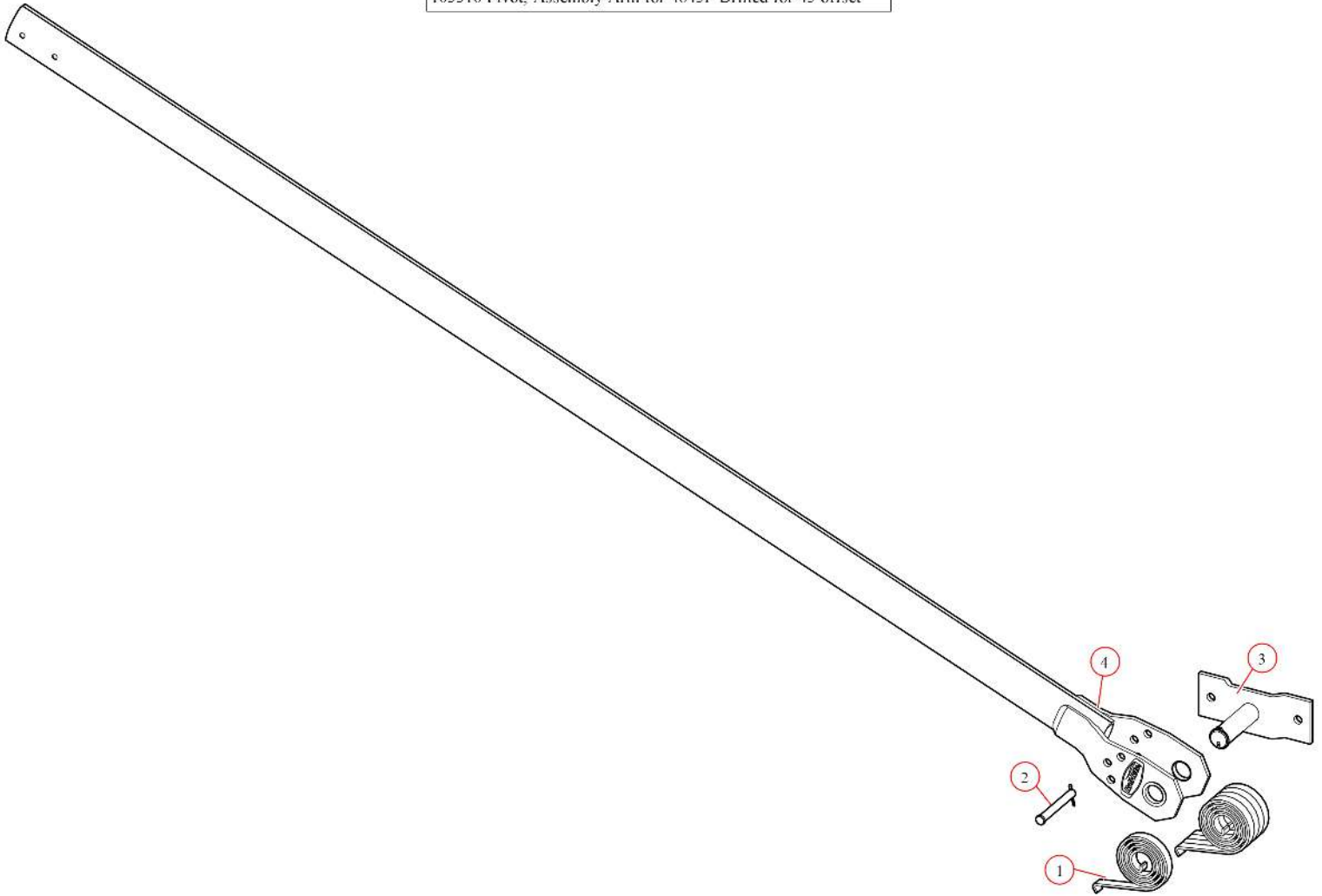
| Bom ID | Part# | Description | qty |
|--------|--------|---|-----|
| 1 | 103315 | Pivot. Assembly Arm for 4645D Drilled for 45 offset | 1 |
| 2 | 103316 | Pivot. Assembly Arm for 4645P Drilled for 45 offset | 1 |

103315 Pivot, Assembly Arm for 4645D Drilled for 45 offset



| Bom ID | Part# | Description | qty |
|--------|-------|--------------------------------------|-----|
| 1 | 45350 | Pivot Pin. 5-Spring | 1 |
| 3 | 47230 | Spring. Spiral Torsion Spring 1 1/4" | 5 |
| 4 | 18560 | Pin. 1/2 x 4 1/8 Special Clevis | 1 |

103316 Pivot, Assembly Arm for 4645P Drilled for 45 offset



| Bom ID | Part# | Description | qty |
|--------|-------|--------------------------------------|-----|
| 1 | 47230 | Spring. Spiral Torsion Spring 1 1/4" | 5 |
| 2 | 18560 | Pin. 1/2 x 4 1/8 Special Clevis | 1 |
| 3 | 45350 | Pivot Pin. 5-Spring | 1 |